

# Sarix® IM10-V Vandal-Resistant IP Mini Fixed Dome

## INDOOR, 1.3 MEGAPIXEL, HIGH DEFINITION DIGITAL CAMERA

### Product Features

- Up to 1.3 Megapixel Resolution (1280 x 1024)
- Up to 30 Images per Second (ips) at 1280 x 720
- Compact Day/Night Camera with 3-Inch Bubble
- Auto Focus Varifocal 2.8 ~ 10 mm Megapixel Lens
- Rugged, Indoor, Vandal-Resistant
- H.264 and MJPEG Compression
- Sensitivity Down to 0.03 lux
- Line-in and Line-out Audio, Built-in Microphone
- Power over Ethernet (PoE), IEEE 802.3af
- Electronic PTZ Through the Web Browser
- Open IP Standards
- Adaptive Motion Detection

The **Sarix® IM10-V** is a 1.3 megapixel (MPx) network indoor fixed dome camera designed with industry-leading image quality. Its sturdy metal design is both vandal- and tamper-resistant. The back box is plenum rated per 2008 NEC article 300.22(C)(2).

**Sarix** technology defines the next generation of video security imaging performance, delivering high definition (HD) resolution, advanced low-light capabilities, consistent color science, and fast processing power. The H.264 compression video files are considerably smaller making HD video more affordable.

### Fixed Dome Camera

The **IM10-V** camera is a rugged, compact indoor enclosure that is ready to install. The camera features an integrated varifocal 2.8 ~ 10 mm megapixel lens. Additionally, the **IM10-V** is a day/night camera that is equipped with a mechanical IR cut filter for increased sensitivity in low-light installations.

The **IM10-V** supports two simultaneous video streams. The two streams can be compressed in MJPEG and H.264 formats across several resolution configurations. The streams can be configured in a variety of frame rates, bit rates, and group of pictures (GOP) structures for additional bandwidth administration.

### Built-In Analytics

The **Pelco Camera Sabotage** and **Adaptive Motion Detection** behaviors are standard features of the IM10-V. **Camera Sabotage** detects contrast changes in the field of view. An alarm is triggered if



- ONVIF v1.02 Conformant
- Ability to Control and Monitor Video Over IPv4 and IPv6 Networks

the lens is obstructed with spray paint, a cloth, or covered with a lens cap. **Adaptive Motion Detection** tracks objects that enter the field of view and triggers an alarm when an object enters a user-defined zone.

### Web Interface

The **IM10-V** uses a standard Web browser for powerful remote setup and administration.

### Window Blanking

Window blanking is used to conceal user-defined privacy areas that cannot be viewed by an operator. The **IM10-V** supports up to four blanked windows. A blanked area will appear on the screen as a solid gray window.

### Video Systemization

The **IM10-V** easily connects to Pelco IP and hybrid systems such as Endura® version 2.0 (or later) and Digital Sentry® version 4.3 (or later). The camera is also compatible with Digital Sentry NVs (DS NVs), a full-featured video management software, which is available as a free download at [www.pelco.com](http://www.pelco.com). DS NVs includes four free Pelco IP licenses and allows for the management of video from up to 64 cameras.

The **IM10-V** features open architecture connectivity to third-party software. Pelco offers an application programming interface (API) and software developer's kit (SDK) for interfacing with Pelco's IP cameras.



by Schneider Electric



C2981 / REVISED 4-9-13

# TECHNICAL SPECIFICATIONS

## GENERAL

Imaging Device	1/3-inch (effective)
Imager Type	CMOS
Imager Readout	Progressive scan
Maximum Resolution	1280 x 1024
Signal-to-Noise Ratio	50 dB
Auto Iris Lens Type	DC drive
Electronic Shutter Range	1 ~ 1/100,000 sec
Wide Dynamic Range	60 dB
White Balance Range	2,000° to 10,000°K
Sensitivity	f/1.3; 2,850°K; SNR >24 dB
Color (1x/33 ms)	0.50 lux
Color SENS (15x/500 ms)	0.12 lux
Mono (1x/33 ms)	0.25 lux
Mono SENS (15x/500 ms)	0.03 lux
Dome Attenuation	Clear dome, zero light loss
Construction	
Back Box	Alodine aluminum
Bubble	Polycarbonate plastic
Finish	Light gray powder coat
Weight	
Unit	0.6 kg (1.4 lb)
Shipping	1.0 kg (2.2 lb)
Available Languages	Chinese, English, French, German, Italian, Portuguese, Russian, Spanish, and Turkish

## ELECTRICAL

Port	RJ-45 connector for 100Base-TX Auto MDI/MDI-X
Cable Type	Cat5 or better for 100Base-TX
Power Input	PoE (IEEE 802.3af class 2)
Power Consumption*	3.3 W nominal
Service Port	External 3-connector, 2.5 mm provides NTSC/PAL video output
Accessory Port	Connects Pelco accessories
Audio	
Streaming	Bidirectional: full or half duplex
Input/Output	Line level/external microphone input; 600-ohm differential; 1 Vp-p maximum signal level; built-in microphone
Compression	G.711 PCM 8 bit, 8 kHz mono at 64 kbit/s

\*Does not include optional accessories connected to the accessory port.

## MECHANICAL

Pan/Tilt Adjustment	Manual
Pan	355°
Tilt	180°
Rotate	220°

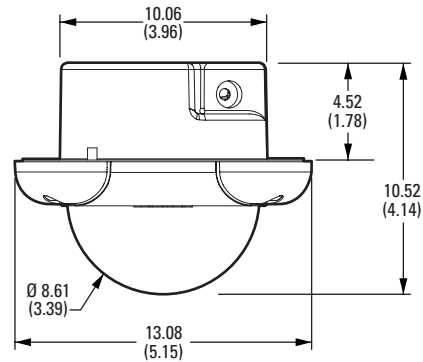
## ENVIRONMENTAL

Operational Temperature	0° to 50°C (32° to 122°F)
Operational Humidity	20% to 80%, noncondensing
Impact Resistance	IK10++ per EN62262 (50J)
Shock and Vibration	Meets EN50155 Category 1, Class B; IEC60068: 2-6 and 2-27



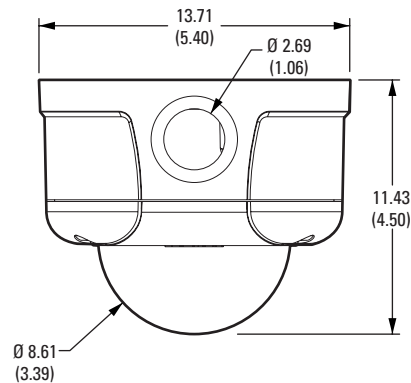
NOTE: VALUES IN PARENTHESES ARE INCHES; ALL OTHERS ARE CENTIMETERS.

### IN-CEILING



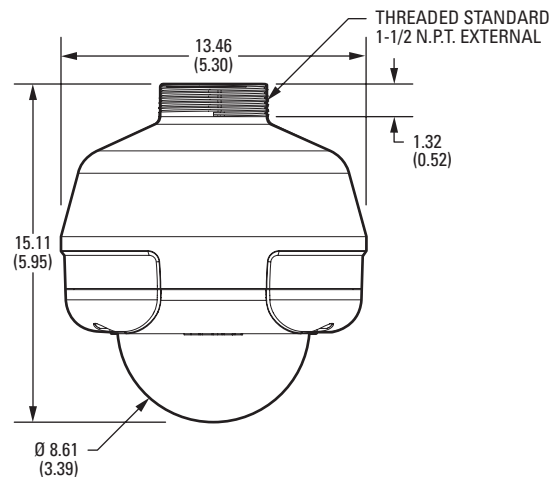
### SURFACE

(Mounting Ring is Available as an Accessory)



### PENDANT

(Mount is Available as an Accessory)



# TECHNICAL SPECIFICATIONS

## VIDEO

Video Encoding	H.264 Base profile and MJPEG
Video Streams	Up to 2 simultaneous streams; the second stream is variable based on the setup of the primary stream
Frame Rate	Up to 30, 25, 24, 15, 12.5, 12, 10, 8, 7.5, 6, 5, 4, 3, 2, 1 (dependent upon coding, resolution, and stream configuration)

Available Resolutions	Resolution				JPEG		H.264 Base Profile	
	MPx	Width	Height	Aspect Ratio	Maximum IPS	Recommended Bit Rate	Maximum IPS	Recommended Bit Rate
	1.3	1280	1024	5:4	20 ips	12 Mbps	8.0 ips	2.5 Mbps
	1.2	1280	960	4:3	20 ips	12 Mbps	8.0 ips	2.4 Mbps
	0.9	1280	720	16:9	30 ips	12 Mbps	12.5 ips	2.5 Mbps
	0.5	800	600	4:3	30 ips	7.75 Mbps	25 ips	2.0 Mbps
	0.3	640	480	4:3	30 ips	3.7 Mbps	30 ips	1.6 Mbps
	0.1	320	240	4:3	30 ips	0.9 Mbps	30 ips	0.4 Mbps

Additional Resolutions	640 x 512, 640 x 352, 480 x 368, 480 x 272, 320 x 256, and 320 x 176
Supported Protocols	TCP/IP, UDP/IP (Unicast, Multicast IGMP), UPnP, DNS, DHCP, RTP, RTSP, NTP, IPv4, IPv6*, SNMP v2c/v3, QoS, HTTP, HTTPS, LDAP (client), SSH, SSL, SMTP, FTP, and 802.1x (EAP)
Users	
Unicast	Up to 20 simultaneous users depending on resolution settings (2 guaranteed streams)
Multicast	Unlimited users H.264
Security Access	Password protected
Software Interface	Web browser view and setup
Pelco System Integration	Endura 2.0 (or later) or Digital Sentry 4.3 (or later)
Open API	Pelco API or ONVIF v1.02
Minimum System Requirements	
Processor	Intel® Pentium® 4 microprocessor, 1.6 GHz
Operating System	Microsoft® Windows® XP, Windows Vista®, or Mac® OS X 10.4 (or later)
Memory	512 MB RAM
Network Interface Card	100 megabits, minimum
Monitor	Minimum of 1024 x 768 resolution, 16- or 32-bit pixel color resolution
Web Browser	Internet Explorer® 7.0 (or later) or Mozilla® Firefox® 3.5 (or later); Internet Explorer® 8.0 (or later) is recommended for configuring analytics
Media Player†	Pelco Media Player or QuickTime® 7.6.5 for Windows XP, Windows Vista, or QuickTime 7.6.4 for Mac OS X 10.4

## LENS

Field of View in Degrees		High Resolution Streams (>800 x 600) Aspect Ratio		
		16:9	4:3	5:4
2.8 mm	Horizontal	91	91	91
	Vertical	50	67	72
10.0 mm	Horizontal	25	25	25
	Vertical	14	19	20

**Note:** For 800 x 600 (or lower) resolutions in 4:3 or 5:4 aspect ratios, the field of view is smaller than listed above. Refer to the installation/operation manual for details.

\*Supports mixed IPv4 and IPv6 installations, but not IPv6-only deployments.

† This product is not compatible with QuickTime version 7.6.4 for Windows XP or Windows Vista. If you have this version installed on your PC, you will need to upgrade to QuickTime version 7.6.5.

# TECHNICAL SPECIFICATIONS

## MODEL

IM10DN10-1V

Sarix vandal-resistant, mini indoor fixed network camera, 1.3 MPx, day/night, 2.8 ~ 10 mm varifocal megapixel lens, clear dome



NOTE: VALUES IN PARENTHESES ARE INCHES; ALL OTHERS ARE CENTIMETERS.

## CERTIFICATIONS/RATINGS/PATENTS

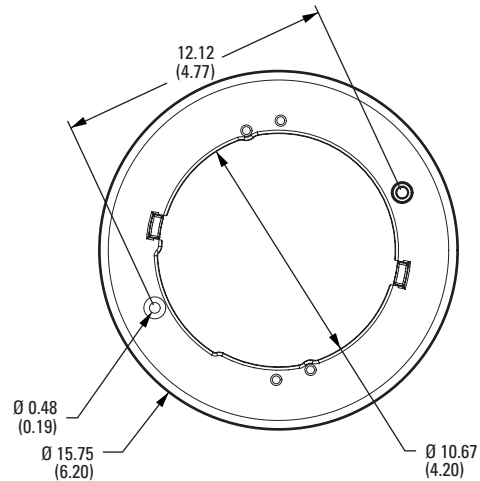
- CE, Class A
- FCC, Class A
- UL/cUL Listed
- C-Tick
- KCC\*
- Cisco® Medianet Media Services Proxy 2.0 compatible
- ONVIF 1.02
- Meets NEMA Type 4 and IP56 standards
- Patents are pending

\*As of the date of this publication, these certifications are pending. Please consult the factory, our Web site at [www.pelco.com](http://www.pelco.com), or the most recent B.O.S.S.® update for the current status of certifications.

## OPTIONAL ACCESSORIES

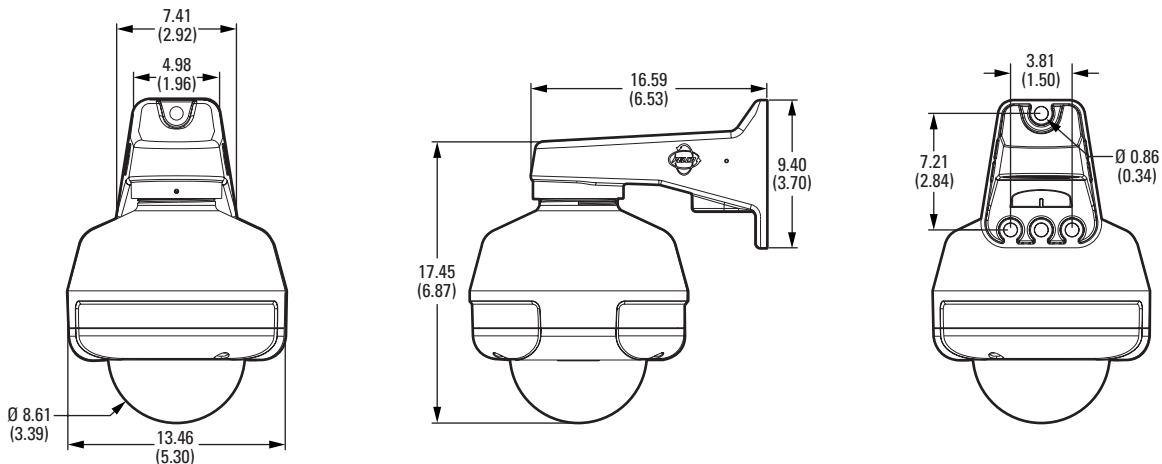
LDIMVE-0	Smoked bubble
IM-VESM	Surface mount ring
IM-VEPM	Pendant mount, light gray
WMVE-SR	Wall mount light, gray
IM-VECM	Corner mount, light gray
IM-VE4S	4S electrical box (deep) adapter plate
POE20U560G	Single port PoE injector
PA101	Pole adapter for use with WMVE-SR wall mount
ALM-1	External alarm accessory
SECURE-SLA Licence	Enables Information Assurance compliant mode of operation

### 4S ELECTRICAL BOX (DEEP) ADAPTER PLATE (Available as an Accessory)



## WALL MOUNT

(Available as an Accessory)



## Pelco by Schneider Electric

3500 Pelco Way, Clovis, California 93612-5699 United States

USA & Canada Tel (800) 289-9100 Fax (800) 289-9150

International Tel +1 (559) 292-1981 Fax +1 (559) 348-1120

[www.pelco.com](http://www.pelco.com) [www.pelco.com/community](http://www.pelco.com/community)

Pelco, the Pelco logo, and other trademarks associated with Pelco products referred to in this publication are trademarks of Pelco, Inc. or its affiliates. ONVIF and the ONVIF logo are trademarks of ONVIF Inc. All other product names and services are the property of their respective companies.

Product specifications and availability are subject to change without notice.

©Copyright 2013, Pelco, Inc. All rights reserved.