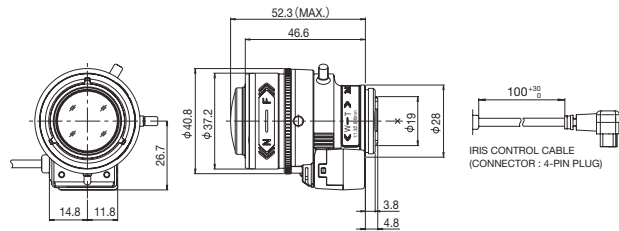
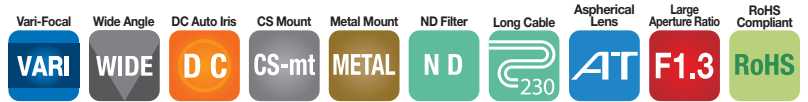


HD Vari-Focal (2.8-6mm)

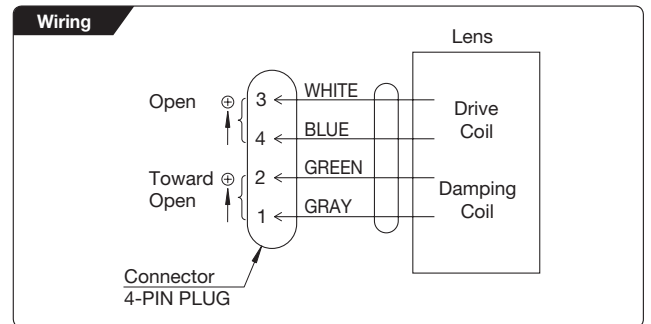
YV2.1x2.8SR4A-SA2

2.1x Applicable camera (model) 1 2/3 1/2 1/3 1/4 For Security



Unit : mm

YV2.1x2.8SR4A-SA2			
Focal Length (mm)		2.8 - 6 (2.1x)	
Iris Range		F1.3 - T360(Equivalent to F360)	
Operation	Zoom	Manual	
	Focus	Manual	
	Iris	Auto (DC type)*1	
Angle Of View (HxV)	1/3"	WIDE	101°11' × 74°10'
		TELE	46°58' × 35°09'
	1/4"	WIDE	74°10' × 54°58'
		TELE	35°09' × 26°19'
Angle Of View (HxV) Aspect Ratio 16 : 9	1/3"	WIDE	111°25' × 60°03'
		TELE	51°13' × 28°41'
	1/4"	WIDE	81°14' × 44°41'
		TELE	38°18' × 21°30'
Focusing Range (From Front Of The Lens) (m)		∞ - 0.3	
Object Dimensions at M.O.D. (HxV) (mm)	1/3"	WIDE	758 × 470
		TELE	270 × 197
	1/4"	WIDE	470 × 323
		TELE	197 × 145
Object Dimensions at M.O.D.(HxV) (mm) Aspect Ratio 16 : 9	1/3"	WIDE	914 × 359
		TELE	298 × 159
	1/4"	WIDE	533 × 256
		TELE	216 × 118
Back Focal Distance (in air) (mm)		9.03	
Exit Pupil Position (From Image Plane) (mm)		-222	
Filter Thread (mm)		-	
Mount		CS	
Mass (g)		55	
Coil Resistance		Drive Coil	190Ω
		Damping Coil	500Ω
Current Consumption		23mA(Max.) at DC 4V	
Remarks		•With Metal Mount (*1) When power is turned off, iris will automatically close. YV2.1x2.8SR4A-SA2L : Long Cable Type(230mm)	



[Lens Image]

