



**For Security  
Vari-Focal**

**MP<sup>®</sup>**  
MEGA  
PIXELS

**DV3.4×3.8SA-SA1**

Applicable camera (model)

1	2/3	1/2	1/3	1/4
---	-----	-----	-----	-----

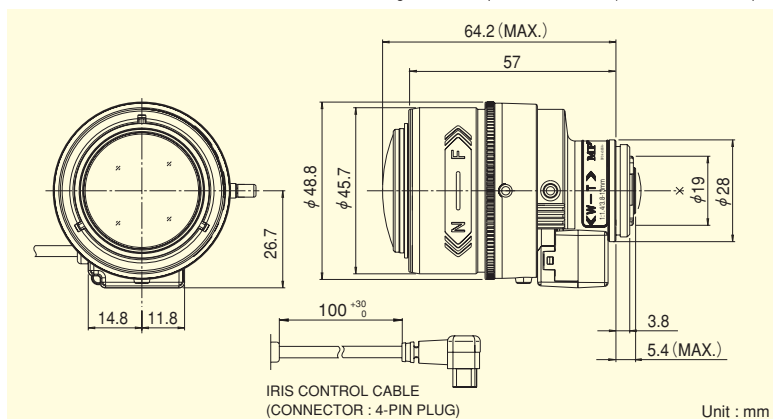
**3.4×**



\*Photograph is a similar model.

<b>VARI</b> Vari-Focal	<b>WIDE</b> Wide Angle	<b>TELE</b> Telephoto Long Focal	<b>3 Mega</b> For Megapixel Camera	<b>DC</b> DC Auto Iris	<b>C-mt</b> C Mount	<b>METAL</b> Metal Mount
<b>ND</b> ND Filter	<b>T360</b> Long Cable	<b>AT</b> Aspherical Lens	<b>F1.4</b> Wide Aperture Rate	<b>RoHS</b> RoHS Compliant		

- High image-quality monitoring with optical performance supporting 3 megapixels.
- Compatible with a wide range - 1/2", 1/3" and 1/4" - cameras.
- Wide f3.8-13mm range accommodates various applications.
- Designed to maximize optical performance with high-accuracy aspheric lens, low-dispersion glass, and high refractive-index glass.
- Built-in ND filter of T360, supporting high sensitivity cameras.

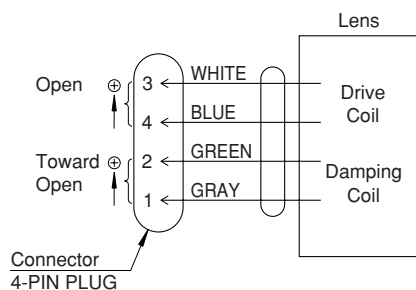


Focal Length (mm)		3.8~13 (3.4×)	
Iris Range		F1.4 ~ T360 (Equivalent to F360)	
Operation	Zoom	Manual	
	Focus	Manual	
	Iris	Auto (DC Type) (*1)	
Angle Of View (H×V)	1/2"	WIDE	97°34' × 71°47'
		TELE	28°23' × 21°18'
	1/3"	WIDE	71°47' × 53°25'
		TELE	21°18' × 15°59'
	1/4"	WIDE	53°15' × 39°41'
		TELE	15°59' × 11°59'
Angle Of View (H×V) Aspect Ratio 16:9	1/2"	WIDE	107°12' × 58°10'
		TELE	30°55' × 17°25'
	1/3"	WIDE	78°34' × 43°18'
		TELE	23°12' × 13°04'
	1/4"	WIDE	58°10' × 32°20'
		TELE	17°25' × 9°48'
Focusing Range (From Front Of The Lens) (m)		∞ ~ 0.3	
Object Dimensions at M.O.D. (H×V) (mm)	1/2"	WIDE	715 × 452
		TELE	170 × 126
	1/3"	WIDE	452 × 313
		TELE	126 × 94
	1/4"	WIDE	313 × 225
		TELE	94 × 70
Object Dimensions at M.O.D. (H×V) (mm) Aspect Ratio 16:9	1/2"	WIDE	851 × 347
		TELE	185 × 103
	1/3"	WIDE	511 × 248
		TELE	138 × 77
	1/4"	WIDE	347 × 181
		TELE	103 × 57
Back Focal Distance (in air) (mm)		10.60	
Exit Pupil Position (From Image Plane) (mm)		461	
Filter Thread (mm)		—	
Mount		C	
Mass (g)		80	
Coil Resistance		Drive Coil	190Ω
		Damping Coil	500Ω
Current Consumption		23mA (Max.) at DC 4V	

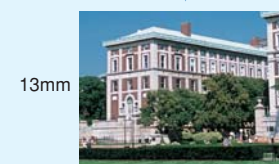
**Remarks**

• With Metal Mount  
(\*1) When power is turned off, iris will automatically close.  
**DV3.4×3.8SA-SA1L :  
Long Cable Type (230mm)**

**Wiring**



[Lens Image]



MEGAPIXEL VARI-FOCAL LENSES