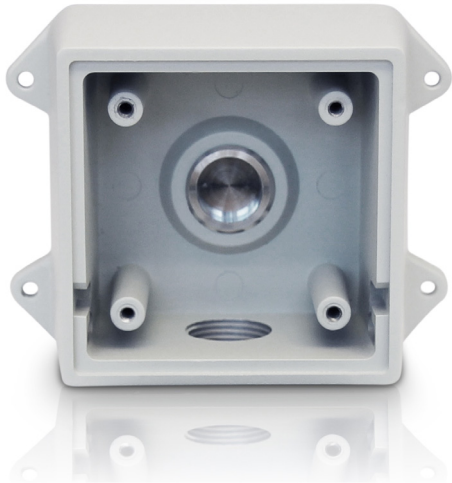
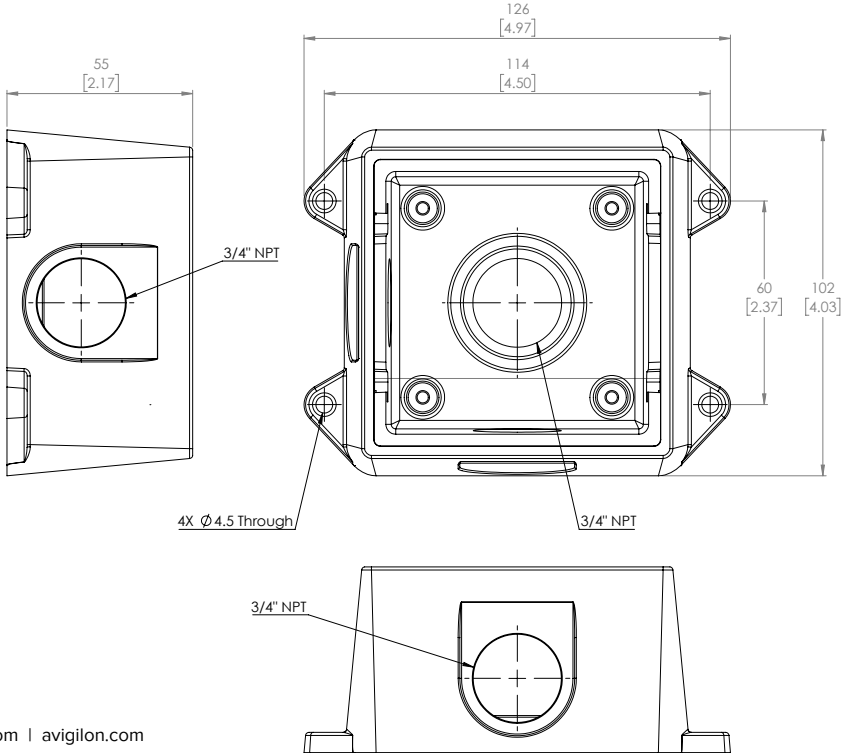


HD Bullet Camera Junction Box



H4-BO-JBOX1	Junction box for the H4A-BO-IR HD Bullet Cameras
Weight: 0.59 kg (1.30 lbs)	Finish: Powder coated aluminum, RAL 9003
<ul style="list-style-type: none">• Low profile junction box specifically designed to fit with the HD Bullet Camera• Offers 2x 3/4" NPT cable entry holes for cable connections• Meets IP66 weather rating• Compatible with:<ul style="list-style-type: none">• H4 HD Bullet cameras• H4 SL HD Bullet cameras• H4 Thermal cameras	



[X.X]	INCHES
X	MM

SUPPORT asksales@avigilon.com | avigilon.com