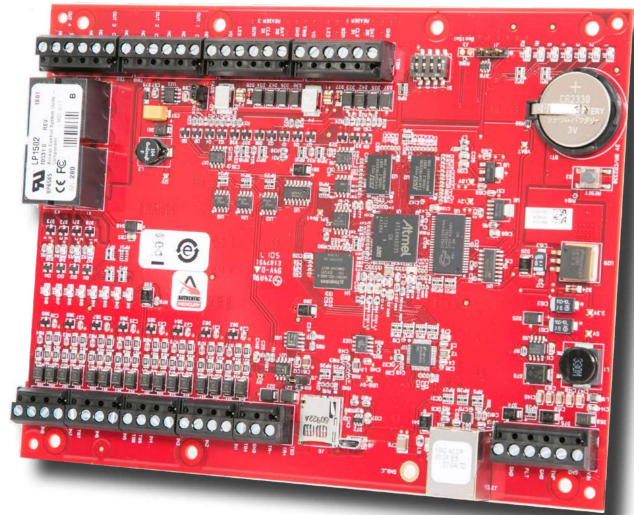


LP Series - AC-MER-CONT-1502 Intelligent Controller

The Avigilon Access Control Manager (ACM) system supports open field hardware from Mercury Security allowing organizations to leverage investments in non-proprietary field hardware, with retrofit programs available for industry standard multi-device interface panels, power and communication controller boards, and intelligent controllers. The new Authentic Mercury LP Series Intelligent Controllers are Mercury Security's enhanced platform that offers an improved processor and increased memory, plus feature an embedded crypto memory chip that provides a secured layer of encryption to onboard sensitive data. The multi-port AC-MER-CONT-LP1502 is a dual card reader panel for controlling two connected doors and managing up to 64 doors/openings.

With native connectivity, the high-performance AC-MER-CONT-LP1502 functions independently of the host for performing numerous access control applications and supports OSDP, OSDP Secure Channel, keypads, biometric readers, Wiegand, clock and data, magnetic stripe, F/2F and supervised F/2F reader technologies.



KEY FEATURES

Enhanced Security: Embedded crypto memory chip and data at rest encryption provides secured layer of protection of sensitive data

OSDP Protocol: Secure channel communications for reader connectivity

Host communications protected by TLS 1.2/1.1

Controller/IO Expansion connection protected by AES (Series 3 SIO)

Port based network access control using 802.1X

FIPS 140-2 user of OpenSSL

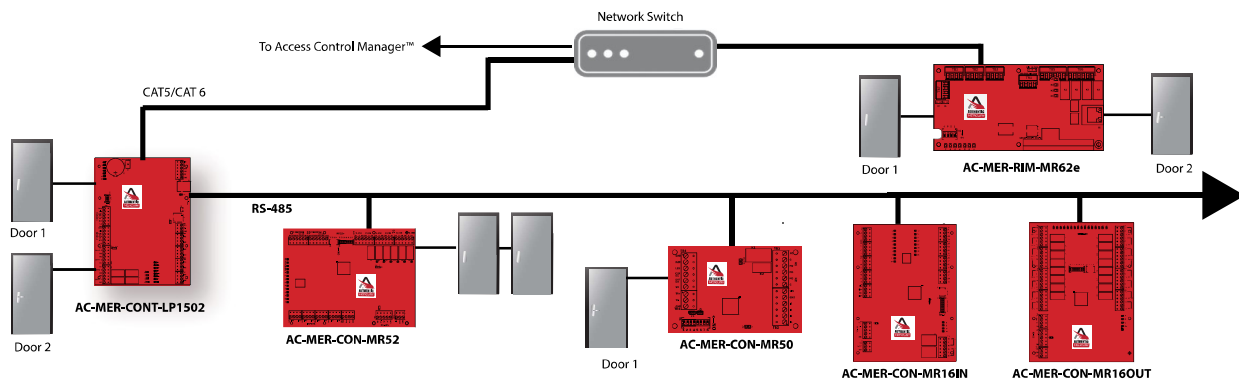
Supports multiple card formats, paired and alternate readers, elevator, turnstile and biometric devices

Anti-passback support (area, reader and time based), programmable keypad user commands, threat level and operating modes



Specifications

TECHNICAL SPECIFICATIONS	Access Control	189,486 cardholder capacity 50,000 transaction buffer Supports total of 1 RS-485 IO protocol 16 access levels per cardholder Cardholder - 19 Digit (64 Bit) User ID with 8 digit PIN MAX Activation/Deactivation	If/Then macro capabilities Anti-passback support Nested, area, hard, soft and timed forgiveness Adjustable cardholder capacity Supports up to 504 inputs or 500 outputs
	Door Control	Natively supports for up to 4 readers and 2 openings. Expands to support up to 64 readers and openings	
	Primary Power	12 to 24 Vdc \pm 10 %, 500 mA maximum (reader and USB ports not included)	
	Reader Port	600 mA maximum (add 600 mA to primary power current)	
	Micro USB Port	5 Vdc, 500 mA maximum (add 270 mA to primary power current)	
	Battery	Memory/ Clock Backup: 3 Volt Lithium, type BR2330 or CR2330	
	microSD Card	microSD or microSDHC; 2GB to 8GB	
	Host Comm.	Ethernet: 10-BaseT/100Base-TX and USB port (2.0) with optional adapter: pluggable model USB2-OTGE100	
	Serial I/O Device	2-wire RS-485, 2,400 to 115,200 bps, asynchronous, halfduplex, 1 start bit, 8 data bits, and 1 stop bit	
	Inputs	Eight unsupervised/supervised, standard EOL: 1k/1k ohm, 1%, ¼ watt. Two unsupervised dedicated for cabinet tamper and UPS fault monitoring	
Output Relays	Four relays, Form C, NO 5 A @ 30 Vdc resistive, NC 3 A @ 30 Vdc resistive		
READER INTERFACE	Reader Power	12-24 Vdc \pm 10 % regulated, 300 mA maximum each reader	
	Data Inputs	TTL compatible, F/2F or 2-wire RS-485	
	RS-485 Mode	9,600 to 115,200 bps, asynchronous, half-duplex, 1 start bit, 8 data bits, and 1 stop bit. Maximum cable length: 2000 ft. (609.6 m)	
	LED Output	TTL levels, high>3 V, low<0.5 V, 5 mA source/sink maximum	
	Buzzer Output	Open collector, 12 Vdc open circuit maximum, 40 mA sink maximum	
CABLE REQUIREMENTS	Power and Relays	1 twisted pair, 18 to 16 AWG	
	Ethernet	CAT-5, minimum	
	Reader TTL	6-conductor, 18 AWG, 500 feet (150 m) maximum	
	Reader F/2F	4-conductor, 18 AWG, 500 feet (150 m) maximum	
	Reader RS-485	1 twisted pair, shielded, 120 ohm impedance, 24 AWG, 2,000 ft. (610 m) max.	
	I/O Devices	1 twisted pair with drain wire and shield, 120 ohm impedance, 24 AWG, 4,000 ft. (1,219 m) maximum	
	Alarm Input	1 twisted pair, 30 ohms maximum	
ENVIRONMENTAL	Temperature	-55 to 85 °C storage, 0 to 70 °C, operating	
	Humidity	5 to 95% RHNC	
MECHANICAL	Dimensions	8 in. (203.2 mm) W x 6 in. (152.4 mm) L x 1 in. (25 mm) H	
	Weight	9 oz. (255 g) nominal, board only	
COMPLIANCE	Product Compliance	UL294 Recognized, FCC Part 15 Class A, CE Compliant, RoHS, NIST Certified Encryption	



ORDERING INFORMATION

AC-MER-CONT-LP1502	LP Series - AC-MER-CONT-LP1502 - Intelligent Controller
--------------------	---