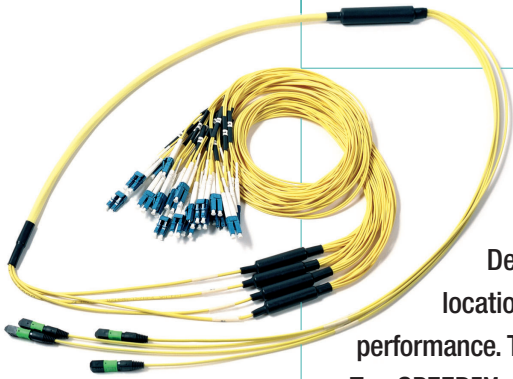


SYSTIMAX®

SOLUTIONS

SYSTIMAX® InstaPATCH™ Plus Ruggedized Fanout Cables



The SYSTIMAX® InstaPATCH™ Plus System features a high-density, factory-terminated, factory tested, modular fiber connectivity solution that allows installers to simply and quickly connect system components together.

Developed by SYSTIMAX Labs, the InstaPATCH Plus System is designed to support locations, such as data centers, that require high-density, rapid deployment and high performance. The InstaPATCH Plus System incorporates SYSTIMAX LazrSPEED® multimode and TeraSPEED™ singlemode fiber technologies to support today's most demanding applications, while allowing easy migration to the next generation technology.

The InstaPATCH Plus ruggedized fanout cables support direct connection to equipment from the patch panel. Terminated with MPO connectors on one end and clipped duplex connectors (LC, SC or ST) on the other end, the ruggedized fanout cable is designed for use with InstaPATCH Plus modular shelves and the MPO panels.

The ruggedized fanouts are available in LazrSPEED 300 and TeraSPEED Solutions, and in 12, 24, 48 and 72 fiber counts. The fanout is built with either

InstaPATCH IPR (ribbon) or InstaPATCH IPD (12-fiber subunit distribution cable), and furcated to individual fiber legs, terminated with individual connectors. Each fiber leg is protected with aramid yarn and 2.0mm furcation tubing for rugged applications.

Ruggedized fanout cables can be ordered in custom length, with or without a pulling eye on the MPO end. The length of the furcated legs are approximately 48 inches from the connector end.

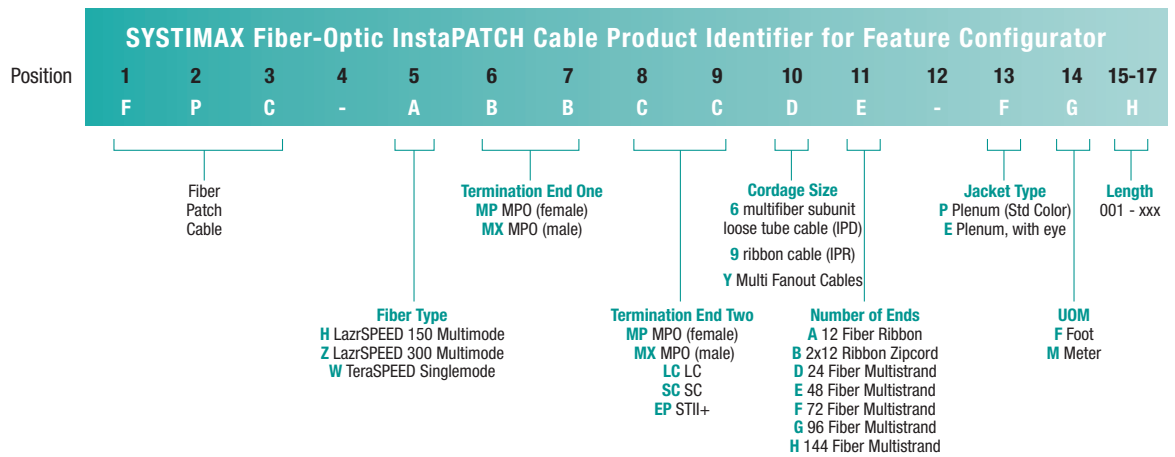
Features and Benefits:

- 12-fiber MPO connector based modular design enables simple connections
- Ruggedized fanouts are constructed with LazrSPEED 300 fibers or TeraSPEED ZWP fibers to provide headroom for future system upgrades
- Provide ultra-high density patching to achieve maximum density of 216 individual fiber connections in 1U
- Factory-terminated and tested for instant field connections and guaranteed quality and performance
- Designed for administrative convenience - guaranteed transmit-to-receive connectivity
- No special or non-standard polarity component

Ordering Information	
Material ID	Description
LazrSPEED 300 Ruggedized Fanout	
FPCZMXLCYA-P	LazrSPEED 300 12-fiber IPR MPO(m)-LC, plenum
FPCZMXLCYA-E	LazrSPEED 300 12-fiber IPR MPO(m)-LC, plenum, with pulling eye
FPCZMXLCYD-P	LazrSPEED 300 24-fiber IPD MPO(m)-LC, plenum
FPCZMXLCYD-E	LazrSPEED 300 24-fiber IPD MPO(m)-LC, plenum, with pulling eye
FPCZMXLCYE-P	LazrSPEED 300 48-fiber IPD MPO(m)-LC, plenum
FPCZMXLCYE-E	LazrSPEED 300 48-fiber IPD MPO(m)-LC, plenum, with pulling eye
FPCZMXLCYF-P	LazrSPEED 300 72-fiber IPD MPO(m)-LC, plenum
FPCZMXLCYF-E	LazrSPEED 300 72-fiber IPD MPO(m)-LC, plenum, with pulling eye
FPCZMXSCYA-P	LazrSPEED 300 12-fiber IPR MPO(m)-SC, plenum
FPCZMXSCYA-E	LazrSPEED 300 12-fiber IPR MPO(m)-SC, plenum, with pulling eye
FPCZMXSCYD-P	LazrSPEED 300 24-fiber IPD MPO(m)-SC, plenum
FPCZMXSCYD-E	LazrSPEED 300 24-fiber IPD MPO(m)-SC, plenum, with pulling eye
FPCZMXSCYE-P	LazrSPEED 300 48-fiber IPD MPO(m)-SC, plenum
FPCZMXSCYE-E	LazrSPEED 300 48-fiber IPD MPO(m)-SC, plenum, with pulling eye
FPCZMXSCYF-P	LazrSPEED 300 72-fiber IPD MPO(m)-SC, plenum
FPCZMXSCYF-E	LazrSPEED 300 72-fiber IPD MPO(m)-SC, plenum, with pulling eye
FPCZMXEPYA-P	LazrSPEED 300 12-fiber IPR MPO(m)-STII+, plenum
FPCZMXEPYA-E	LazrSPEED 300 12-fiber IPR MPO(m)-STII+, plenum, with pulling eye
FPCZMXEPYD-P	LazrSPEED 300 24-fiber IPD MPO(m)-STII+, plenum
FPCZMXEPYD-E	LazrSPEED 300 24-fiber IPD MPO(m)-STII+, plenum, with pulling eye
FPCZMXEPYE-P	LazrSPEED 300 48-fiber IPD MPO(m)-STII+, plenum
FPCZMXEPYE-E	LazrSPEED 300 48-fiber IPD MPO(m)-STII+, plenum, with pulling eye
FPCZMXEPYF-P	LazrSPEED 300 72-fiber IPD MPO(m)-STII+, plenum
FPCZMXEPYF-E	LazrSPEED 300 72-fiber IPD MPO(m)-STII+, plenum, with pulling eye
TeraSPEED Ruggedized Fanout	
FPCWWMXLCYA-P	TeraSPEED 12-fiber IPR MPO(m)-LC, plenum
FPCWWMXLCYA-E	TeraSPEED 12-fiber IPR MPO(m)-LC, plenum, with pulling eye
FPCWWMXLCYD-P	TeraSPEED 24-fiber IPD MPO(m)-LC, plenum
FPCWWMXLCYD-E	TeraSPEED 24-fiber IPD MPO(m)-LC, plenum, with pulling eye
FPCWWMXLCYE-P	TeraSPEED 48-fiber IPD MPO(m)-LC, plenum
FPCWWMXLCYE-E	TeraSPEED 48-fiber IPD MPO(m)-LC, plenum, with pulling eye
FPCWWMXLCYF-P	TeraSPEED 72-fiber IPD MPO(m)-LC, plenum
FPCWWMXLCYF-E	TeraSPEED 72-fiber IPD MPO(m)-LC, plenum, with pulling eye
FPCWWMXSCYA-P	TeraSPEED 12-fiber IPR MPO(m)-SC, plenum
FPCWWMXSCYA-E	TeraSPEED 12-fiber IPR MPO(m)-SC, plenum, with pulling eye
FPCWWMXSCYD-P	TeraSPEED 24-fiber IPD MPO(m)-SC, plenum
FPCWWMXSCYD-E	TeraSPEED 24-fiber IPD MPO(m)-SC, plenum, with pulling eye
FPCWWMXSCYE-P	TeraSPEED 48-fiber IPD MPO(m)-SC, plenum
FPCWWMXSCYE-E	TeraSPEED 48-fiber IPD MPO(m)-SC, plenum, with pulling eye
FPCWWMXSCYF-P	TeraSPEED 72-fiber IPD MPO(m)-SC, plenum
FPCWWMXSCYF-E	TeraSPEED 72-fiber IPD MPO(m)-SC, plenum, with pulling eye
FPCWWMXEPYA-P	TeraSPEED 12-fiber IPR MPO(m)-STII+, plenum
FPCWWMXEPYA-E	TeraSPEED 12-fiber IPR MPO(m)-STII+, plenum, with pulling eye
FPCWWMXEPYD-P	TeraSPEED 24-fiber IPD MPO(m)-STII+, plenum
FPCWWMXEPYD-E	TeraSPEED 24-fiber IPD MPO(m)-STII+, plenum, with pulling eye
FPCWWMXEPYE-P	TeraSPEED 48-fiber IPD MPO(m)-STII+, plenum
FPCWWMXEPYE-E	TeraSPEED 48-fiber IPD MPO(m)-STII+, plenum, with pulling eye
FPCWWMXEPYF-P	TeraSPEED 72-fiber IPD MPO(m)-STII+, plenum
FPCWWMXEPYF-E	TeraSPEED 72-fiber IPD MPO(m)-STII+, plenum, with pulling eye

Optical Performance

SYSTIMAX InstaPATCH Plus Ruggedized Fanout Optical Performance				
Module	LazrSPEED		TeraSPEED	
Component	Total Insertion Loss	Return Loss	Total Insertion Loss	Return Loss
LC Ruggedized Fanout	≤ 1.15 dB	≥ 20 dB	≤ 1.15 dB	≥ 55 dB
SC Ruggedized Fanout	≤ 1.3 dB	≥ 20 dB	≤ 1.3 dB	≥ 55 dB
ST Ruggedized Fanout	≤ 1.3 dB	≥ 20 dB	≤ 1.3 dB	≥ 55 dB



SYSTIMAX[®] SOLUTIONS

© 2005 CommScope, Inc.
All rights reserved.

Visit our Web site at www.systemax.com or contact your local SYSTIMAX Solutions representative or SYSTIMAX BusinessPartner for more information.
SYSTIMAX Solutions is a trademark of CommScope. All trademarks identified by ® or ™ are registered trademarks or trademarks, respectively, of CommScope.

This document is for planning purposes only and is not intended to modify or supplement any specifications or warranties relating to SYSTIMAX Solutions products or services.