

SYSTIMAX[®] RoloSplice Multiple Splice Organizer Installation

General

This instruction sheet provides procedures for installing the **SYSTIMAX[®]** RoloSplice, multiple splice organizer management system and is intended for indoor use or can be used outdoors in a suitable enclosure.

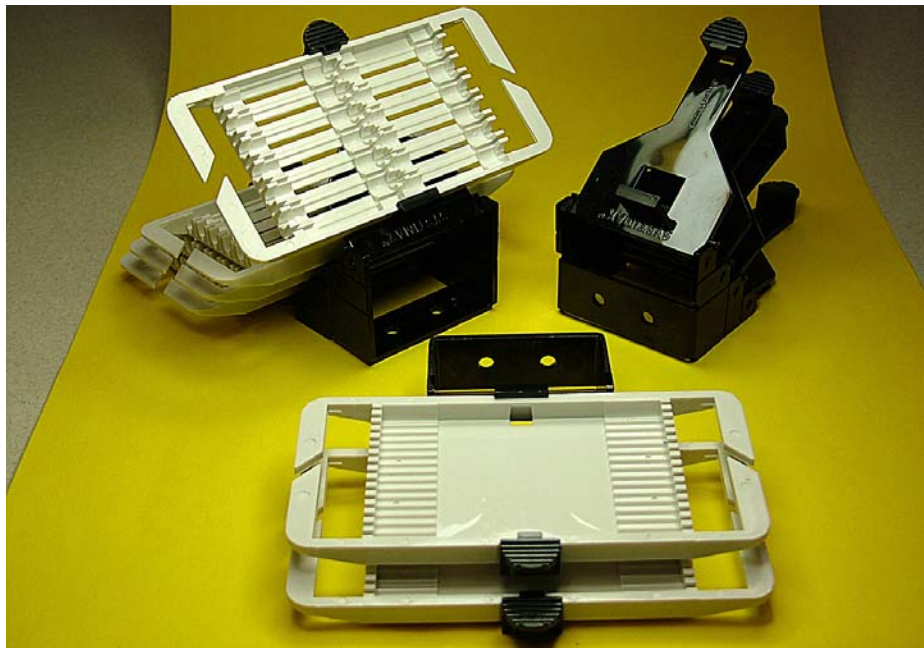


Figure 1. RoloSplice Multiple Splice Organizer

How to Contact Us

- To find out more about **SYSTIMAX[®]** Solutions, visit us on the web at <http://www.commscope.com/systemax>
- For technical assistance regarding **SYSTIMAX** products:
 - Within the United States, contact your local account representative or **SYSTIMAX** technical support at 1-800-344-0223. Outside the United States, contact your local account representative or Authorized BusinessPartner.
 - Within the United States, report any missing or damaged parts to **SYSTIMAX** Customer Service in Omaha, NE, at 1-866-539-2795. Outside the United States, contact your local account representative or Authorized BusinessPartner.

This product is covered by one or more of the following U.S. patents or their foreign equivalents:
7,200,314 B2.

Cautions

- Observe all safety precautions when using a utility knife.
- Wearing safety glasses while installing this device is recommended. Although standard safety glasses offer no protection from potential optical radiation, they offer protection from accidental airborne objects and cleaning solvents.
- Isopropyl alcohol is flammable, and can cause eye irritation on contact. If eye contact occurs, flush with water for at least 15 minutes. In case of ingestion, consult a physician. Use only in well ventilated areas

Tools/Materials Required

- Isopropyl alcohol
- Lint-free cloth or tissues
- Safety glasses
- Utility knife (optional)
- Two pliers (optional)
- File or sandpaper (optional)
- Drill and 0.180" or 0.183" diameter drill bits (drill bit #14 or #15) (optional)

Ordering Information

The RoloSplice is available in several different kits, both with and without splice trays, including (but not limited to) the following:

Description	Material ID
RoloSplice	760027516
RoloSplice and four mechanical (rotary) splice trays	760031849
RoloSplice and four fusion splice trays	760031856
RoloSplice and two mechanical (rotary) splice trays	760039859
RoloSplice and two fusion splice trays	760039867

Note: Each kit also includes two plastic fasteners, one adhesive strip, and installation instructions.

Step 1—Verify Kit Number and Contents

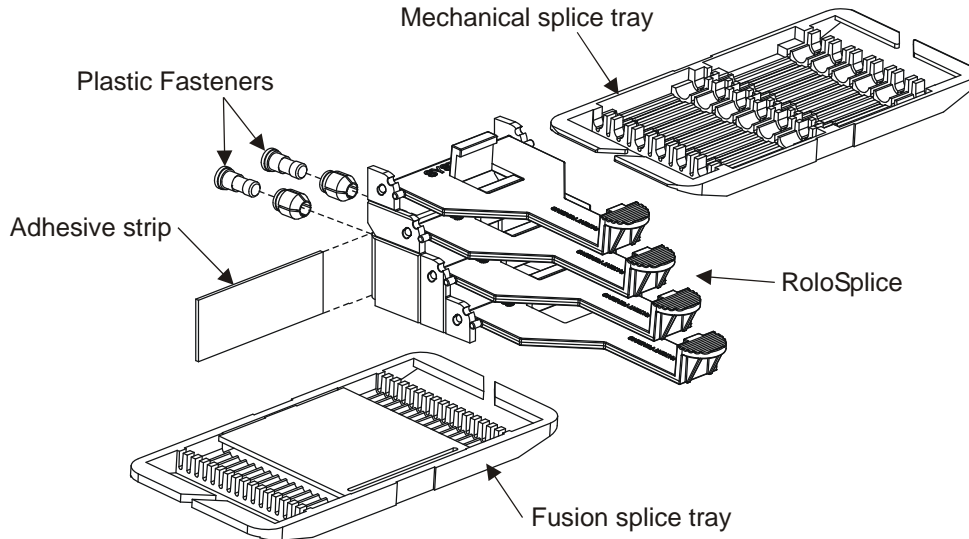


Figure 2. Verify Parts in Kit

1. Verify parts in kit against those listed in Ordering Information above.

Step 2 – Install Splice Trays

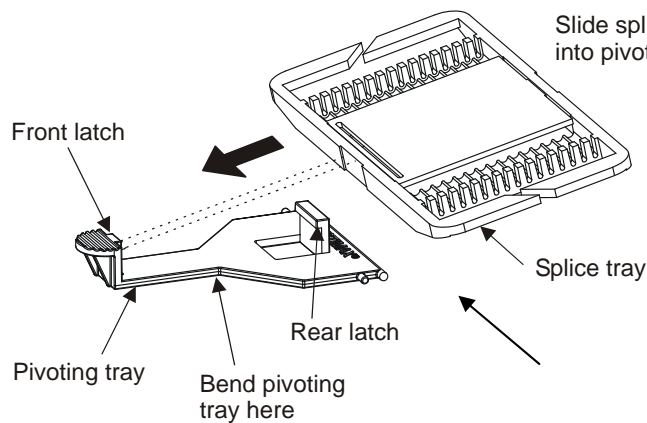


Figure 3. Install Splice Tray

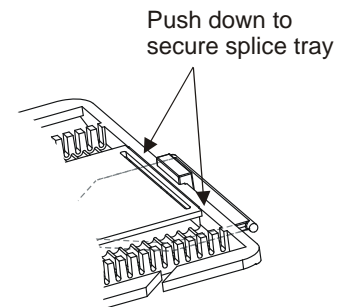


Figure 4. Secure Splice Tray

1. Temporarily remove pivoting trays from RoloSplice base by spreading sides of base sufficiently to allow for removal.
2. To install splice tray into pivoting tray, slide splice tray over rear latch and under front latch. Orient splice tray so that indentation is centered under front latch.
3. Bend pivot tray slightly where indicated (see Figure 3) to allow rear latch to engage splice tray.
4. Push down on splice tray, on both sides of rear latch (see Figure 4), until splice tray is fully engaged by rear latch. An audible snap will be heard.

Step 3 – Configure RoloSplice

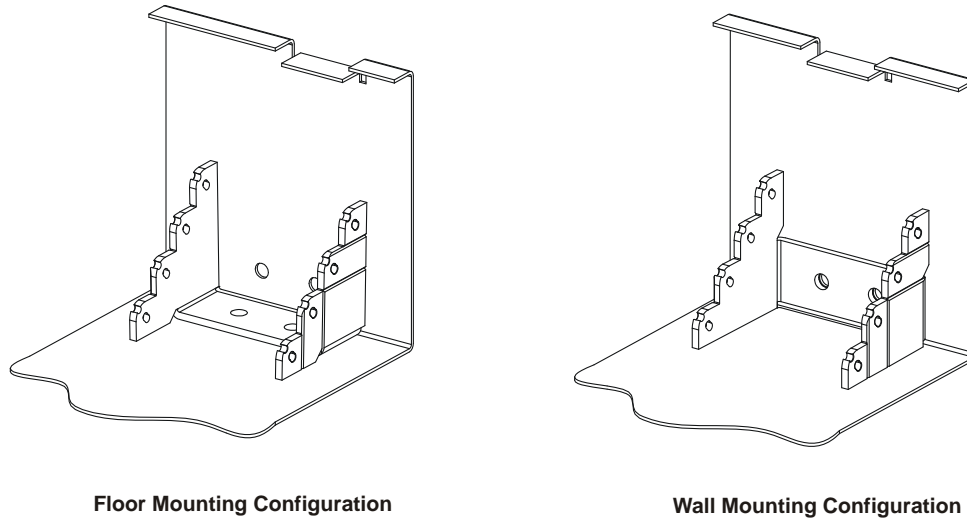


Figure 5. Determine Base Orientation

1. Determine which base orientation is best suited for your application; floor mounting or wall mounting.

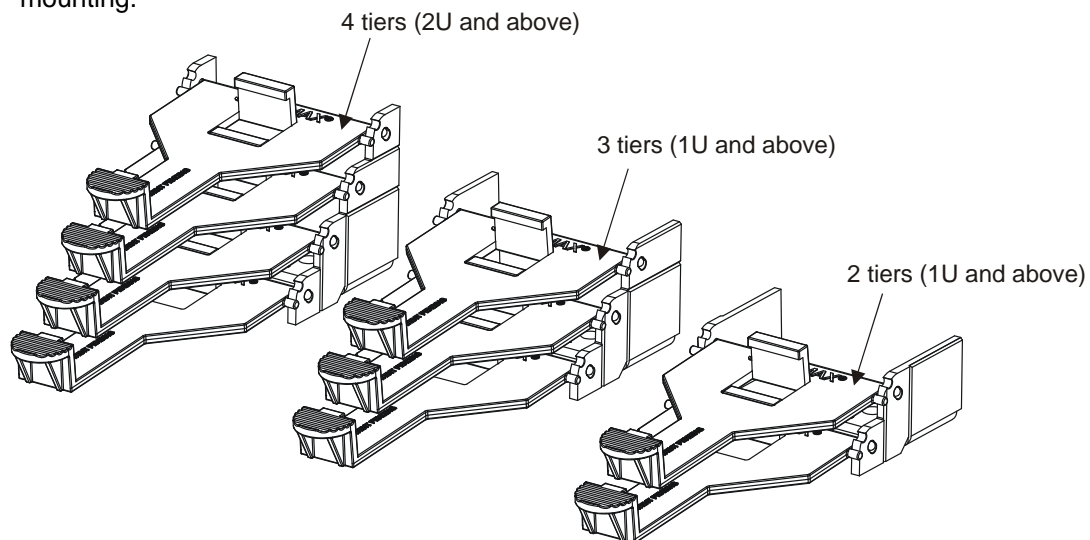


Figure 6. RoloSplice Configuration Options

2. Determine appropriate RoloSplice configuration for enclosure size (see Figure 6) and for number of splices to be stored.
3. If enclosure size is less than 3-1/2 inches (89 mm) high (or 2U), then base cannot be used in its full height. The base will need to be reconfigured, by removing breakaway tabs as shown below.

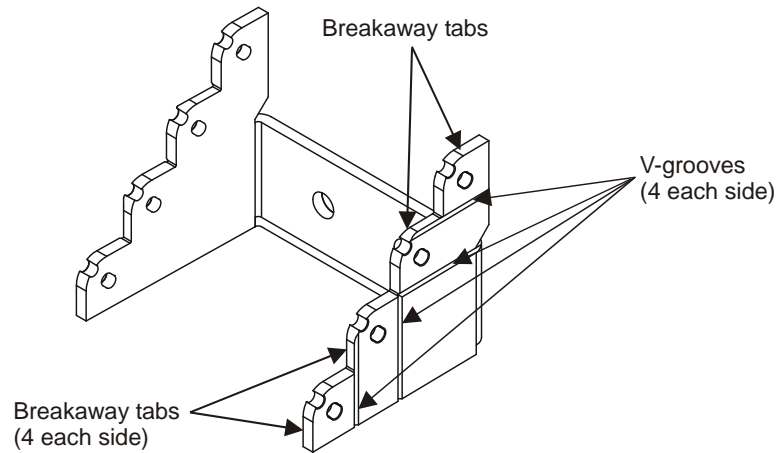


Figure 7. Location of V-Grooves and Breakaway Tabs on Side of Base

4. To remove tabs, hold side of base firmly down on a solid surface (such as a table top) and score several times along the desired V-groove with a sharp utility knife. Repeat at corresponding V-groove on opposite side of base.
5. Using pliers, grasp breakaway tab just above V-groove while holding base just below V-groove with another pair of pliers. Bend tab back and forth several times until it breaks off. Repeat at corresponding location on opposite side. Safety glasses are recommended for this step.
6. Clean up any sharp or rough edges that result from breaks with a file or sandpaper.
7. Reinstall pivot tray/splice tray assemblies (created at Step 2) into base, unless RoloSplice is to be mounted per Method “B”, as outlined in Step 4.

Step 4 — Mount RoloSplice

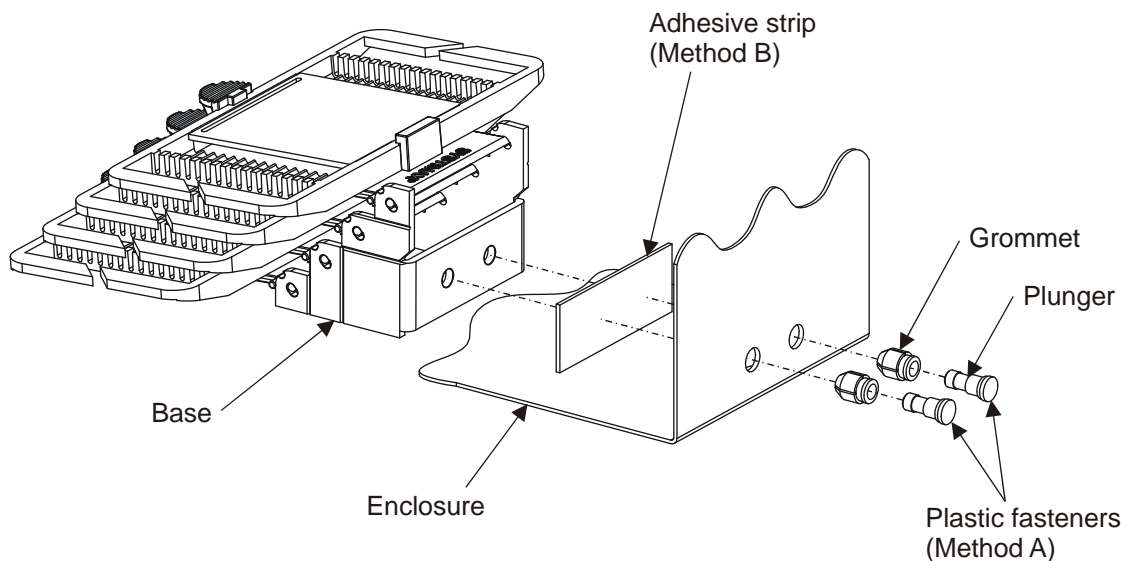


Figure 8. RoloSplice Mounting Methods A and B

Note: Components are included to mount RoloSplice into an enclosure using two different methods. Method “A” uses removable plastic fasteners and is preferred over Method “B” which uses a double-sided adhesive strip that cannot be removed. In either case, RoloSplice should be mounted on a smooth, flat surface only. Orient as required for accessibility and fiber routing.

Method “A”

1. Locate existing RoloSplice mounting hole pattern in enclosure wall or floor. If enclosure does not provide hole pattern, installer may add holes. Use RoloSplice base as a template for location and drill two 0.180” or 0.183” diameter holes (drill bit #14 or #15) thru sheet metal. De-burr holes and remove all shavings from enclosure.
2. Align holes in base to those in enclosure and mate surfaces together. Insert grommets into enclosure holes from external side and into holes in base. Insert plungers into grommets and press firmly until fasteners are mated.

Method “B”

1. Wipe mounting surface of RoloSplice base and surface to which it is to be bonded with Isopropyl Alcohol and a lint-free cloth or tissue to clean and degrease.
2. Peel off paper backing from one side of adhesive strip and apply to base of RoloSplice. Peel off paper backing from other side of adhesive strip and position RoloSplice on mounting surface as desired. Press firmly into place and apply even pressure for several seconds to assure that adhesive makes good contact.
3. Reinstall pivot tray/splice tray assemblies (created at Step 2) into base.

Note: Installer may wish to populate splice trays before assembling pivot tray/splice tray assemblies to base. Alternatively, RoloSplice may be temporarily removed from enclosure for splicing operations, by releasing the plastic fasteners, if installed per Method “A”.