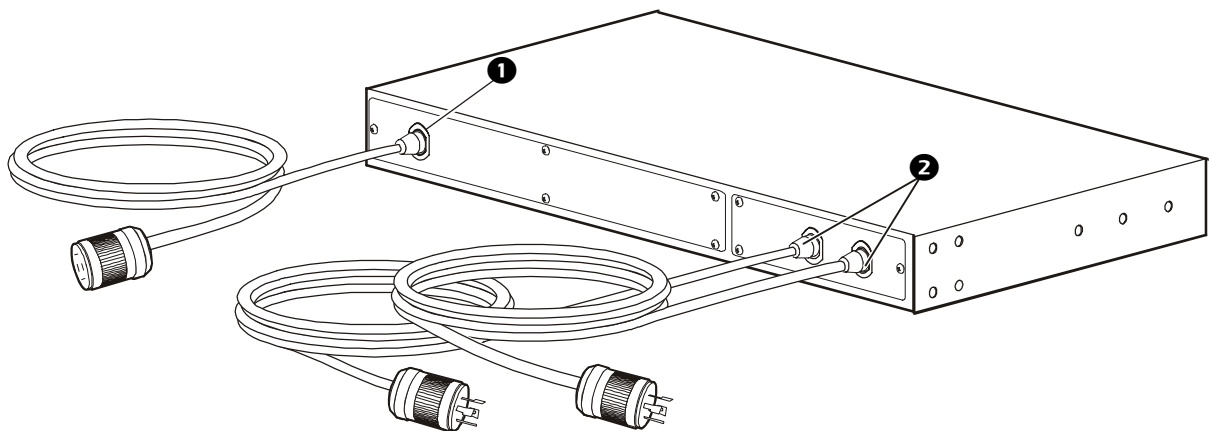


Automatic Transfer Switch

Overview

The APC® Automatic Transfer Switch (ATS) is a high-availability switch that provides redundant power to rack-mount equipment. The Automatic Transfer Switch supplies power from a primary input line; if that line becomes unavailable for any reason, the switch automatically begins supplying power from a secondary line.

Rear view—AP7701



No.	Item	Description/Function
❶	Output Power Cord	The NEMA L21-20R cord connects the switch to a Rack-mount PDU, providing a redundant source of power to the PDU and the equipment connected to it.
❷	Input Power Cords	The two NEMA L21-20P cords connect the switch to two separate power sources (A,B). The switch is set to draw power from the preferred source and automatically switch over to the secondary source, when necessary.

Specifications

AP7701

Electrical	
Nominal input voltage	173/100–208/120 V
Acceptable input voltage	156/90–229/132 V
Nominal input frequency	50/60 Hz
Input connectors	Two 36-inch, attached L21-20P line cords
Output connectors	One 36-inch, attached L21-20R line cord
Maximum total current draw	16 A per phase
Physical	
Size (h × w × d)	1.71 × 17.00 × 9.00 in (4.34 × 43.18 × 22.86 cm)
Weight:	8.6 lb (3.9 kg)
Shipping Weight	14.1 lb (6.4 kg)
Environmental	
Elevation (above MSL): Operating	0 to 10,000 ft (0 to 3 000 m)
Elevation (above MSL): Storage	0 to 50,000 ft (0 to 15 000 m)
Temperature: Operating	23 to 113° F (–5 to 45° C)
Temperature: Storage	5 to 149° F (–15 to 65° C)
Operating Humidity	0 to 95%, non-condensing
Approvals	
EMC Verification	FCC Part 15, ICES—003, VCCI
Safety Verification	UL, cUL (UL 60950)