
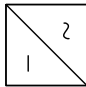
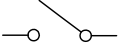
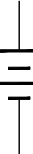
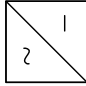


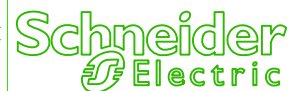
UPS On-line

Sheet NO.	Component/Detail	Description
1	Drawing Guide	UPS-Online SRV2KI(-TW,-AR,-BR)
2	Isometric View	UPS-Online SRV2KI(-TW,-AR,-BR)
3	Main Mechanical	UPS-Online SRV2KI(-TW,-AR,-BR)
4	System One Line Diagram	UPS-Online SRV2KI(-TW,-AR,-BR)

LEGEND

SYMBOL	DESCRIPTION	SYMBOL	DESCRIPTION
	CIRCUIT BREAKER		CONVERTER
	RELAY		BATTERY
			INVERTER

THIS DRAWING AND SPECIFICATIONS HEREIN ARE THE PROPERTY OF SCHNEIDER ELECTRIC AND SHALL NOT BE COPIED, REPRODUCED OR USED IN WHOLE OR IN PART, AS THE BASIS FOR THE MANUFACTURE OR SALE OF ITEMS WITHOUT WRITTEN PERMISSION FROM SCHNEIDER ELECTRIC. THIS DRAWING IS BASED UPON LATEST AVAILABLE INFORMATION AND IS SUBJECT TO CHANGE WITHOUT NOTICE.



TITLE:

UPS Online 2KVA
(SKUs:SRV2KI,SRV2KI-AR,SRV2KI-BR,SRV2KI-TW)
INPUT: 220-240Vac,50Hz, 1PH
OUTPUT: 220-240Vac,50Hz, 1PH

Drawing Guide

PROJECT: Magellan

SHEET 1 OF 4

DWG NO:

V20190104-003

DRAWN: Bin.yuan

14-Mar-2019

ENGINEER: Chris.yun

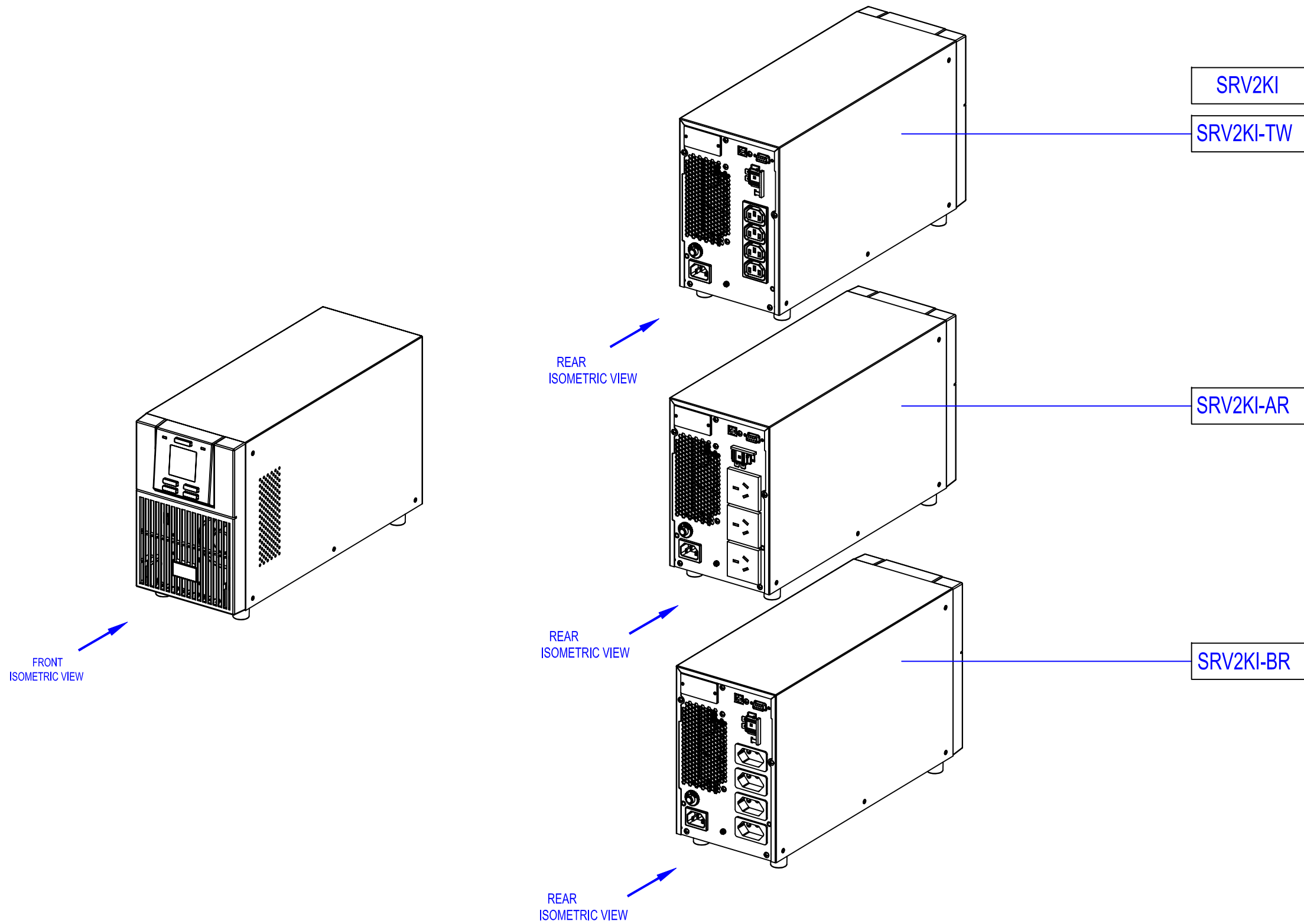
14-Mar-2019

APPROVED: Alan.He

14-Mar-2019

REV: 1

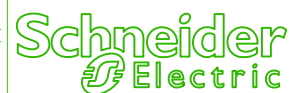
3rd Angle
Projection



NOTES:

1. INSTALLATION SHALL COMPLY WITH ALL APPLICABLE NATIONAL AND LOCAL ELECTRICAL REGULATIONS.
2. REFER TO PRODUCT FOR ADDITIONAL DETAILS.

THIS DRAWING AND SPECIFICATIONS HEREIN ARE THE PROPERTY OF SCHNEIDER ELECTRIC AND SHALL NOT BE COPIED, REPRODUCED OR USED IN WHOLE OR IN PART, AS THE BASIS FOR THE MANUFACTURE OR SALE OF ITEMS WITHOUT WRITTEN PERMISSION FROM SCHNEIDER ELECTRIC. THIS DRAWING IS BASED UPON LATEST AVAILABLE INFORMATION AND IS SUBJECT TO CHANGE WITHOUT NOTICE.



TITLE:
 UPS Online 2KVA
 (SKUs:SRV2KI,SRV2KI-AR,SRV2KI-BR,SRV2KI-TW)
 INPUT: 220-240Vac,50Hz, 1PH
 OUTPUT: 220-240Vac,50Hz, 1PH
 Drawing Guide

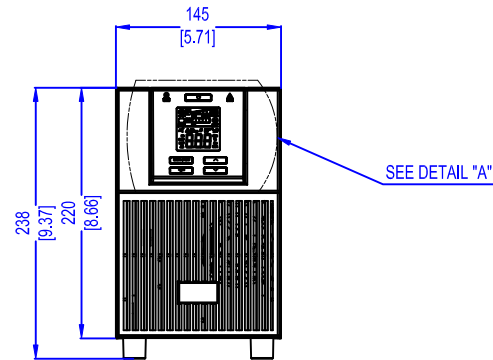
PROJECT: Magellan

DWG NO: V20190104-003

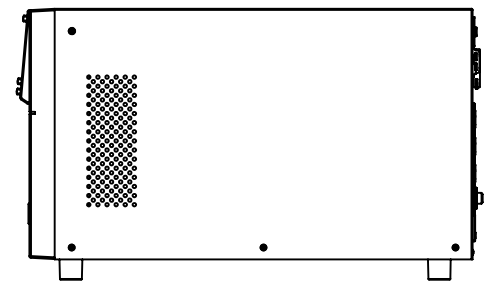
DRAWN: Bin.yuan	14-Mar-2019
ENGINEER: Chris.yun	14-Mar-2019
APPROVED: Alan.He	14-Mar-2019

REV: 1

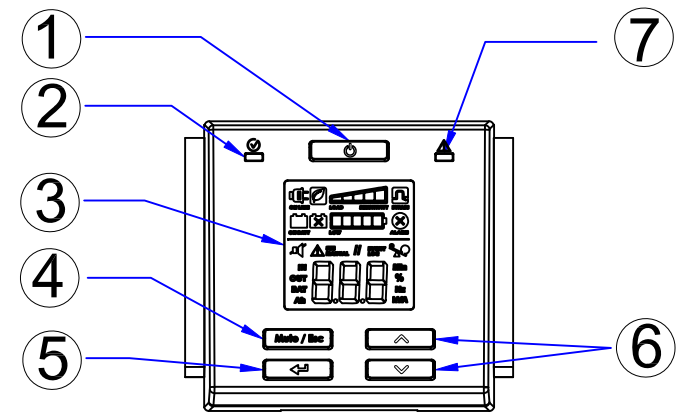
3rd Angle Projection



FRONT VIEW



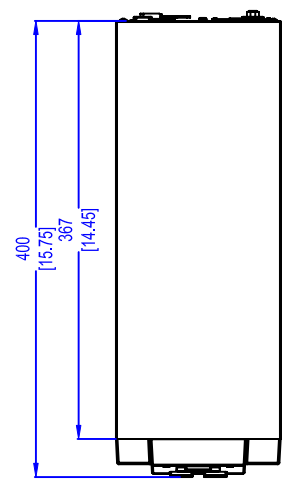
SIDE VIEW



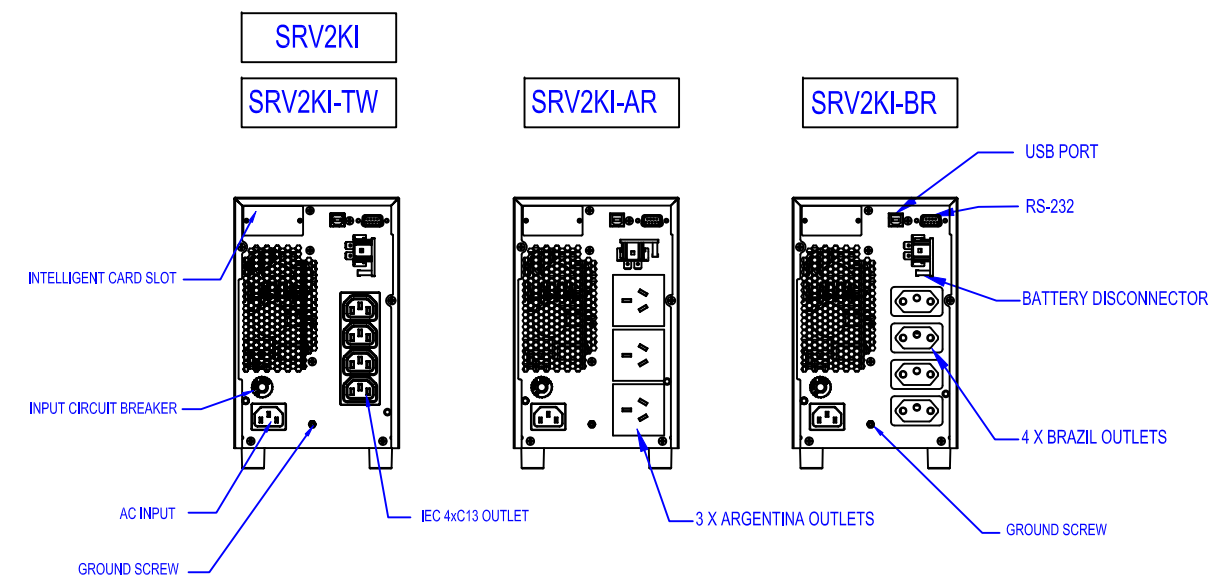
DETAIL "A" - ENLARGED VIEW

- DISPLAY INTERFACE:
- 1.UPS POWER ON/OFF BUTTON
 - 2.STATUS LED
 - 3.LCD DISPLAY
 - 4.MUTE/ESC BUTTON

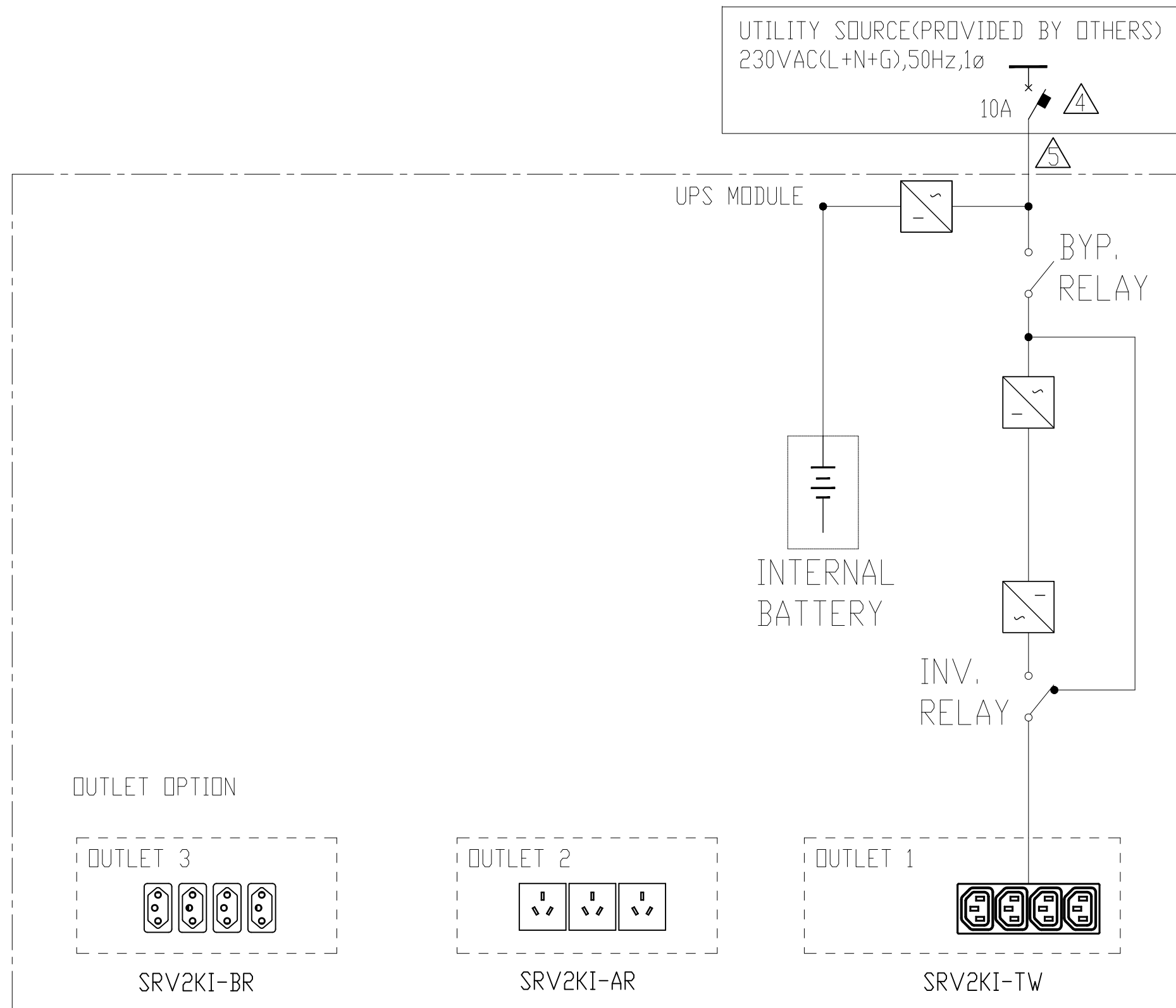
- 5.ENTER BUTTON
- 6.UP/DOWN BUTTON
- 7.ALARM LED



TOP VIEW



- NOTES:
- 1. INSTALLATION SHALL COMPLY WITH ALL APPLICABLE NATIONAL AND LOCAL ELECTRICAL REGULATIONS.
 - 2.REFER TO PRODUCT FOR ADDITIONAL DETAILS.
 - 3.WEIGHT OF UNIT IS 16.8KG[37.04LBS].



NOTES:

1. INSTALLATION SHALL COMPLY WITH ALL APPLICABLE NATIONAL AND LOCAL ELECTRICAL REGULATIONS.
2. REFER TO PRODUCT FOR ADDITIONAL DETAILS.
3. DRAWING DEPICTS POWER SYSTEM CONNECTIONS AND IS NOT REPRESENTATIVE OF PHYSICAL LAYOUT, PLEASE REFER TO MECHANICAL DRAWINGS FOR MORE SPECIFIC PHYSICAL DATA.
- △ 4. UTILITY SOURCE MUST BE NOMINAL 230VAC (L+N+G), 50Hz, 1Φ, PROVIDED BY OTHERS.
- △ 5. INPUT LINE BETWEEN UTILITY SOURCE AND THE UNIT REPRESENTS C13/C14 IEC INPUT POWERCORD SET PROVIDE WITH THE UNIT.

THIS DRAWING AND SPECIFICATIONS HEREIN ARE THE PROPERTY OF SCHNEIDER ELECTRIC AND SHALL NOT BE COPIED, REPRODUCED OR USED IN WHOLE OR IN PART, AS THE BASIS FOR THE MANUFACTURE OR SALE OF ITEMS WITHOUT WRITTEN PERMISSION FROM SCHNEIDER ELECTRIC. THIS DRAWING IS BASED UPON LATEST AVAILABLE INFORMATION AND IS SUBJECT TO CHANGE WITHOUT NOTICE.



TITLE:
 UPS Online 2KVA
 (SKUs: SRV2KI, SRV2KI-AR, SRV2KI-BR, SRV2KI-TW)
 INPUT: 220-240Vac, 50Hz, 1PH
 OUTPUT: 220-240Vac, 50Hz, 1PH
 Drawing Guide

PROJECT: Magellan

DWG NO: V20190104-003

DRAWN: Bin.yuan	14-Mar-2019
ENGINEER: Chris.yun	14-Mar-2019
APPROVED: Alan.He	14-Mar-2019

REV: 1

3rd Angle Projection