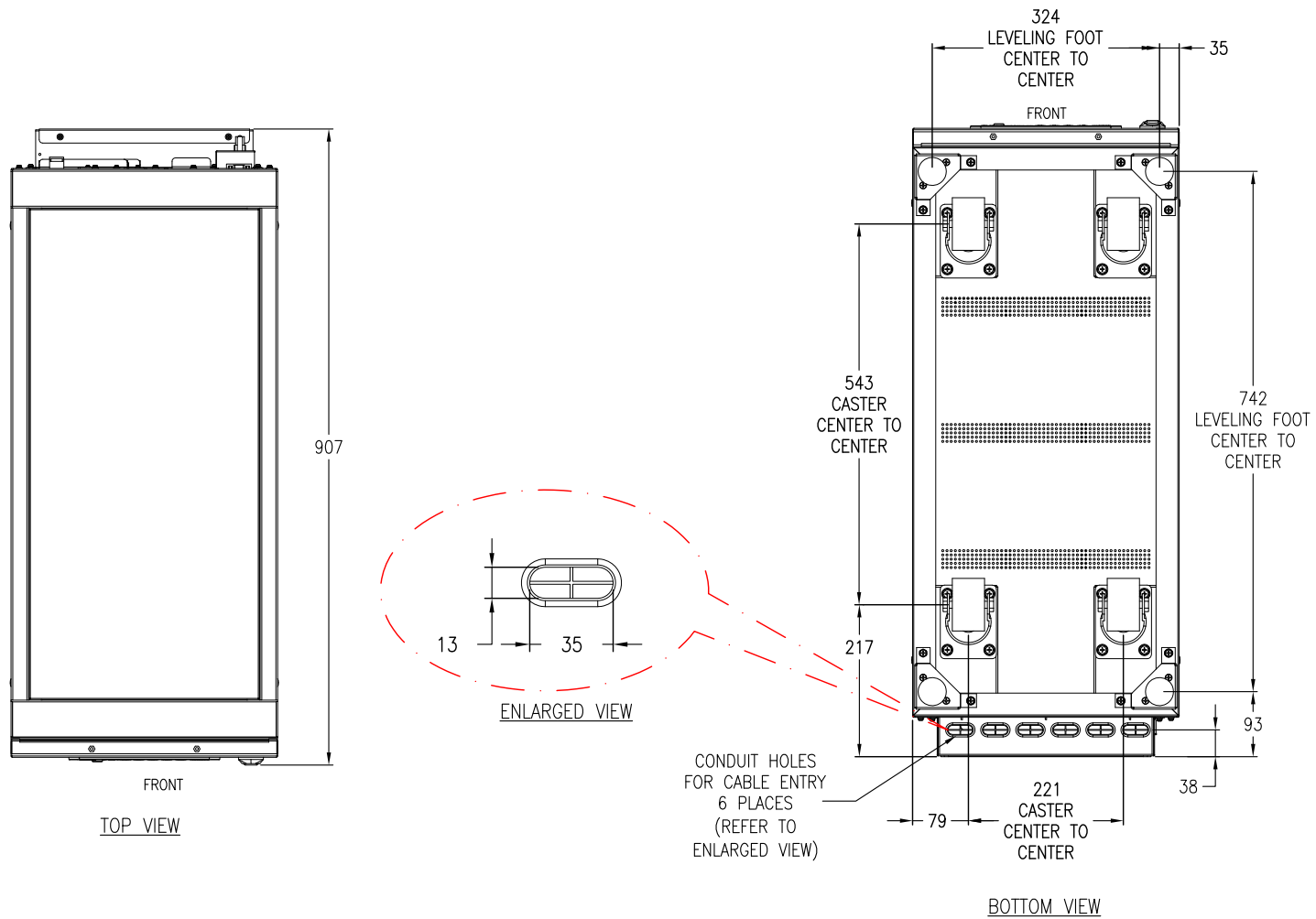


- NOTES:**
1. INSTALLATION SHALL COMPLY WITH ALL APPLICABLE NATIONAL AND LOCAL ELECTRICAL REGULATIONS.
 2. REFER TO PRODUCT DOCUMENTATION FOR ADDITIONAL DETAILS PRIOR TO INSTALLATION AND SITE PREPARATION WORK.
 3. ALL DIMENSIONS ARE IN MILLIMETERS UNLESS OTHERWISE SPECIFIED.
 4. NET WEIGHT OF THE UNIT WITHOUT BATTERY IS 112kg. NET WEIGHT OF 1 BATTERY UNIT IS 27kg.
 5. FRONT, REAR AND SIDE SERVICE/VENTILATION CLEARANCE REQUIRED.
 6. COLOR: RAL 9003.
 7. OPERATING TEMPERATURE: 0°C MIN. TO 40°C MAX.
 8. PROTECTION CLASS: IP20

THIS DRAWING AND SPECIFICATIONS HEREIN ARE THE PROPERTY OF SCHNEIDER ELECTRIC AND SHALL NOT BE COPIED, REPRODUCED OR USED IN WHOLE OR IN PART, AS THE BASIS FOR THE MANUFACTURE OR SALE OF ITEMS WITHOUT WRITTEN PERMISSION FROM SCHNEIDER ELECTRIC. THIS DRAWING IS BASED UPON LATEST AVAILABLE INFORMATION AND IS SUBJECT TO CHANGE WITHOUT NOTICE.



TITLE: Schneider Electric Easy UPS 3S CLA, HIGH TOWER 10 - 15kVA, 400V, 3PH WITH BATTERY MODULES GENERAL ARRANGEMENT		DWG NO: E3SUPS10K15HB	REV.
PROJECT: SUBMITTAL DRAWINGS SHEET 1 OF 7		DRAWN: JAYAPRAKASH	06-FEB-18
		ENGINEER: COMPBELL BAI	20-MAR-18
		APPROVED: FRANK ZHANG	20-MAR-18
			FIRST ANGLE PROJECTION



- NOTES:**
1. INSTALLATION SHALL COMPLY WITH ALL APPLICABLE NATIONAL AND LOCAL ELECTRICAL REGULATIONS.
 2. REFER TO PRODUCT DOCUMENTATION FOR ADDITIONAL DETAILS PRIOR TO INSTALLATION AND SITE PREPARATION WORK.
 3. ALL DIMENSIONS ARE IN MILLIMETERS UNLESS OTHERWISE SPECIFIED.

THIS DRAWING AND SPECIFICATIONS HEREIN ARE THE PROPERTY OF SCHNEIDER ELECTRIC AND SHALL NOT BE COPIED, REPRODUCED OR USED IN WHOLE OR IN PART, AS THE BASIS FOR THE MANUFACTURE OR SALE OF ITEMS WITHOUT WRITTEN PERMISSION FROM SCHNEIDER ELECTRIC. THIS DRAWING IS BASED UPON LATEST AVAILABLE INFORMATION AND IS SUBJECT TO CHANGE WITHOUT NOTICE.



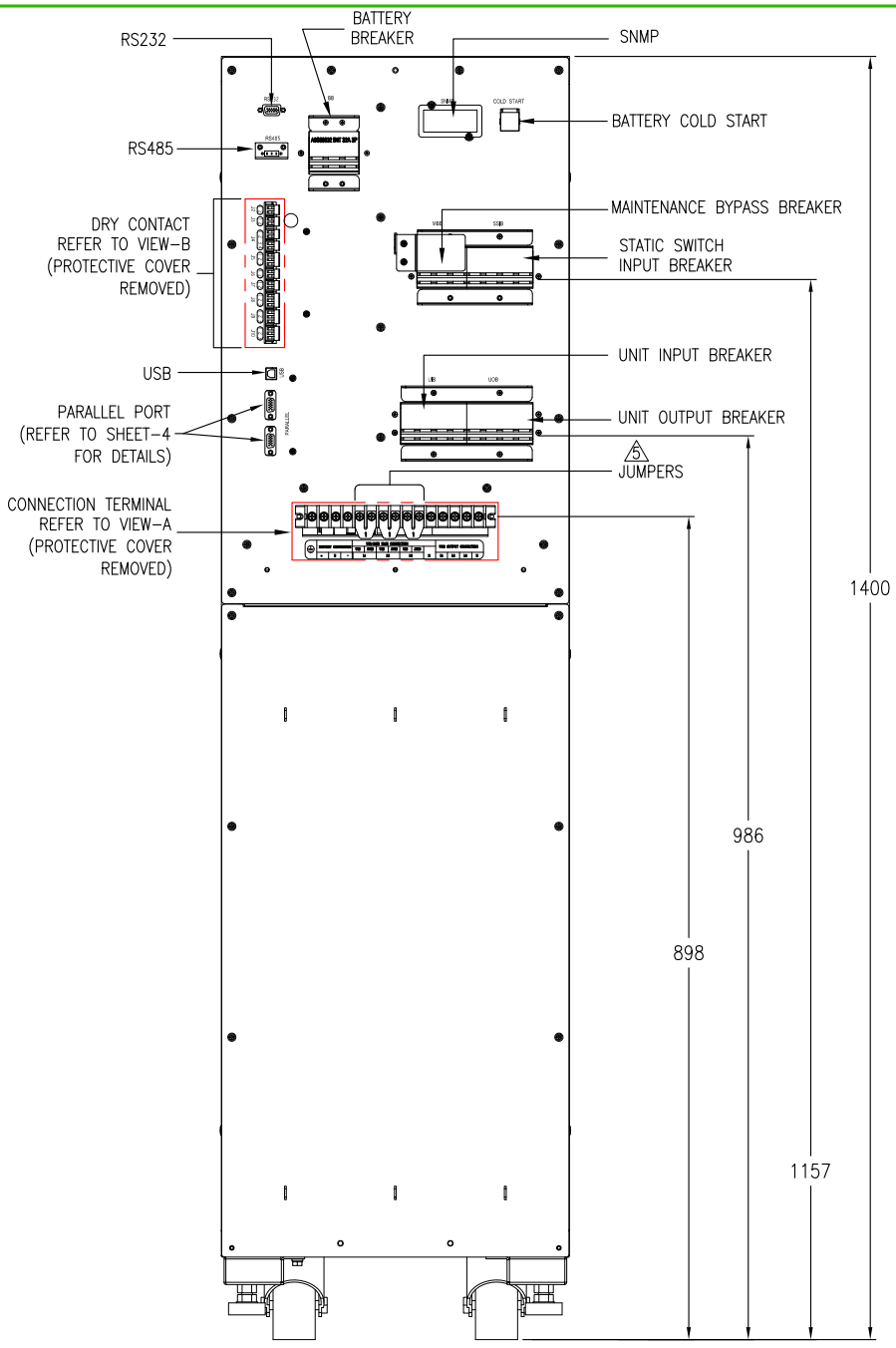
TITLE: Schneider Electric Easy UPS 3S
 CLA, HIGH TOWER
 10 - 15kVA, 400V, 3PH
 WITH BATTERY MODULES
 BOTTOM VIEWS

PROJECT: SUBMITTAL DRAWINGS SHEET 2 OF 7

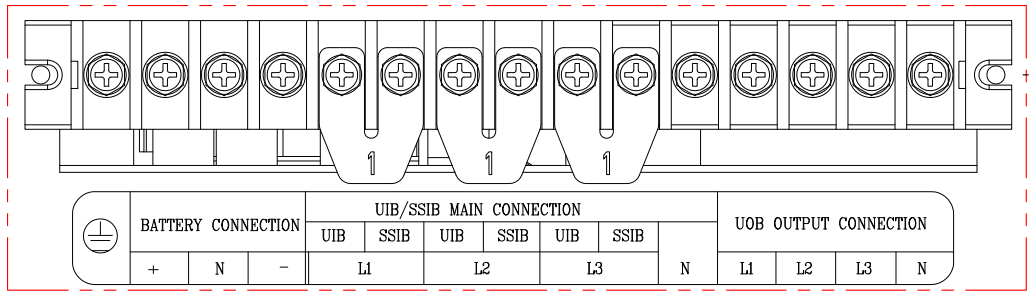
DWG NO: E3SUPS10K15HB

DRAWN:	JAYAPRAKASH	06-FEB-18
ENGINEER:	COMPBELL BAI	20-MAR-18
APPROVED:	FRANK ZHANG	20-MAR-18

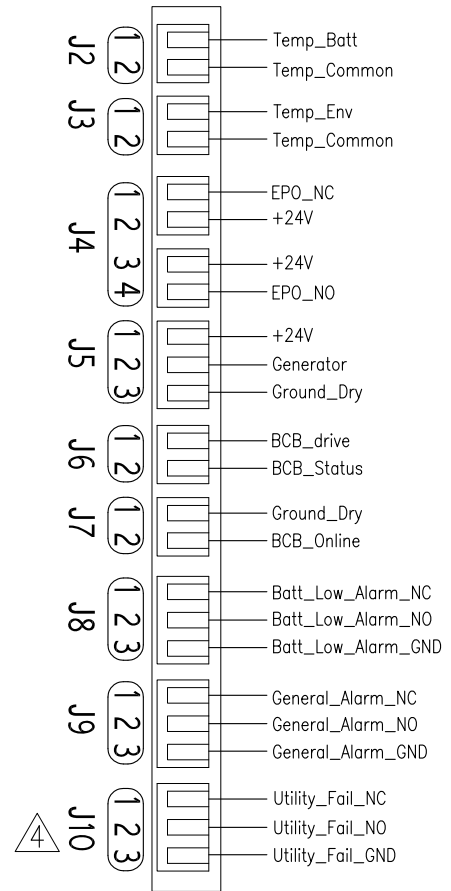
REV. FIRST ANGLE PROJECTION



REAR VIEW



VIEW-A (ENLARGED)
CONNECTION TERMINALS



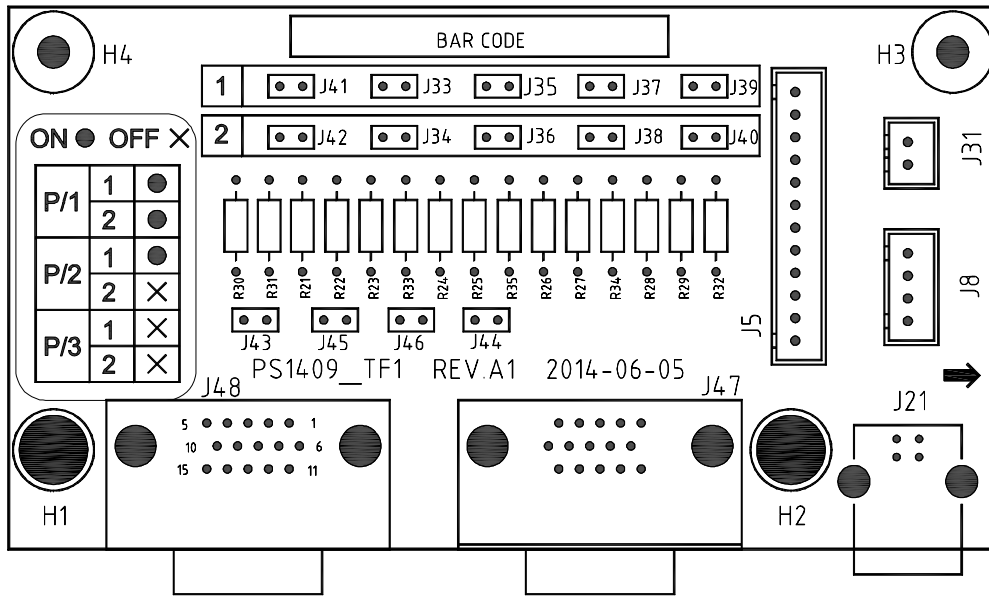
VIEW-B (ENLARGED)
DRY CONTACT INTERFACE (ENLARGED VIEW)

- NOTES:
1. INSTALLATION SHALL COMPLY WITH ALL APPLICABLE NATIONAL AND LOCAL ELECTRICAL REGULATIONS.
 2. REFER TO PRODUCT DOCUMENTATION FOR ADDITIONAL DETAILS PRIOR TO INSTALLATION AND SITE PREPARATION WORK.
 3. ALL DIMENSIONS ARE IN MILLIMETERS UNLESS OTHERWISE SPECIFIED.
 4. J10 IS RESERVED FOR EXTERNAL BACKFEED PROTECTION.
 5. SINGLE MAINS CONFIGURATION IS DEFAULT. REMOVE JUMPERS FOR DUAL MAINS.

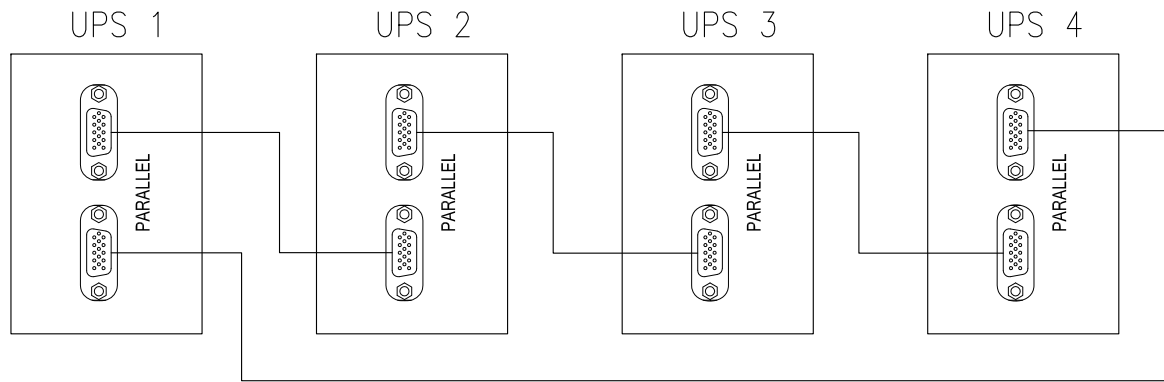
THIS DRAWING AND SPECIFICATIONS HEREIN ARE THE PROPERTY OF SCHNEIDER ELECTRIC AND SHALL NOT BE COPIED, REPRODUCED OR USED IN WHOLE OR IN PART, AS THE BASIS FOR THE MANUFACTURE OR SALE OF ITEMS WITHOUT WRITTEN PERMISSION FROM SCHNEIDER ELECTRIC. THIS DRAWING IS BASED UPON LATEST AVAILABLE INFORMATION AND IS SUBJECT TO CHANGE WITHOUT NOTICE.



TITLE: Schneider Electric Easy UPS 3S CLA, HIGH TOWER 10 - 15kVA, 400V, 3PH WITH BATTERY MODULES REAR VIEW AND DETAILS	DWG NO: E3SUPS10K15HB	REV:
PROJECT: SUBMITTAL DRAWINGS SHEET 3 OF 7	DRAWN: JAYAPRAKASH	06-FEB-18
	ENGINEER: COMPBELL BAI	20-MAR-18
	APPROVED: FRANK ZHANG	20-MAR-18
		FIRST ANGLE PROJECTION



△ 5 PARALLEL BOARD



PARALLEL CONNECTION

- NOTES:
1. INSTALLATION SHALL COMPLY WITH ALL APPLICABLE NATIONAL AND LOCAL ELECTRICAL REGULATIONS.
 2. REFER TO PRODUCT DOCUMENTATION FOR ADDITIONAL DETAILS PRIOR TO INSTALLATION AND SITE PREPARATION WORK.
 3. ALL DIMENSIONS ARE IN MILLIMETERS UNLESS OTHERWISE SPECIFIED.
 4. UP TO 4 NUMBERS OF UPS CAN BE CONNECTED IN PARALLEL. MAXIMUM COMMUNICATION CABLE LENGTH IS 5 Meters.
- △ 5. PARALLEL BOARD SETTINGS:
- REMOVE JUMPERS FROM THE PARALLEL BOARD ACCORDING TO YOUR SYSTEM:
- a. IN PARALLEL SYSTEM WITH TWO UPSs, REMOVE JUMPERS FROM J34, J36, J38, J40 AND 42 ON BOTH BOARDS
 - b. IN PARALLEL SYSTEM WITH THREE AND FOUR UPSs, REMOVE ALL JUMPERS.

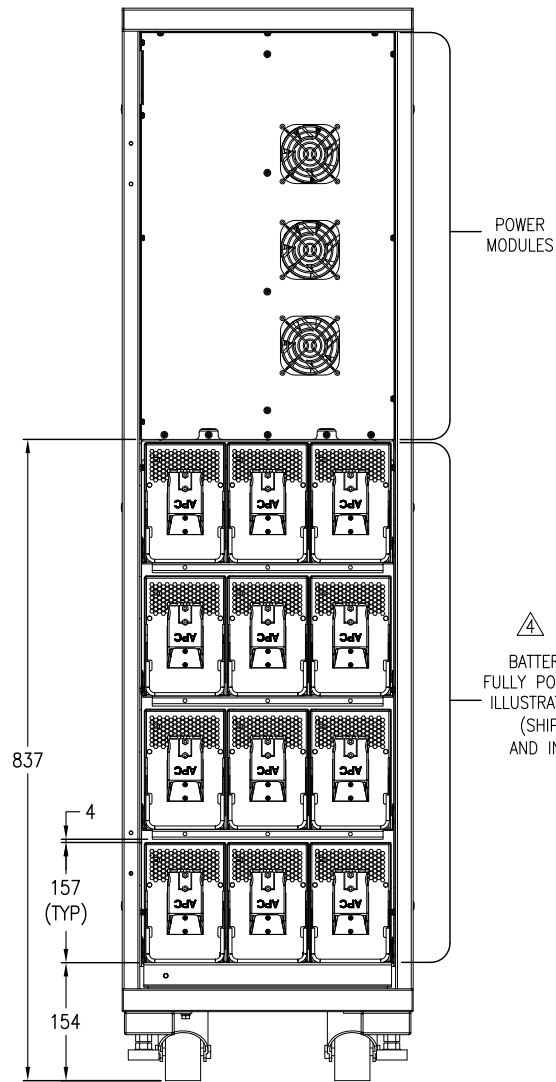
THIS DRAWING AND SPECIFICATIONS HEREIN ARE THE PROPERTY OF SCHNEIDER ELECTRIC AND SHALL NOT BE COPIED, REPRODUCED OR USED IN WHOLE OR IN PART, AS THE BASIS FOR THE MANUFACTURE OR SALE OF ITEMS WITHOUT WRITTEN PERMISSION FROM SCHNEIDER ELECTRIC. THIS DRAWING IS BASED UPON LATEST AVAILABLE INFORMATION AND IS SUBJECT TO CHANGE WITHOUT NOTICE.



TITLE: Schneider Electric Easy UPS 3S
CIA, HIGH TOWER
10 - 15kVA, 400V, 3PH
WITH BATTERY MODULES
PARALLEL CONNECTION

PROJECT: SUBMITTAL DRAWINGS SHEET 4 OF 7

DWG NO:	E3SUPS10K15HB		REV.
DRAWN:	JAYAPRAKASH	06-FEB-18	FIRST ANGLE PROJECTION
ENGINEER:	COMPBELL BAI	20-MAR-18	
APPROVED:	FRANK ZHANG	20-MAR-18	



POWER
MODULES

⚠
BATTERY UNITS (E3SBTU)
FULLY POPULATED. SHOWN FOR
ILLUSTRATION PURPOSE ONLY.
(SHIPPED SEPARATELY
AND INSTALLED ON SITE)

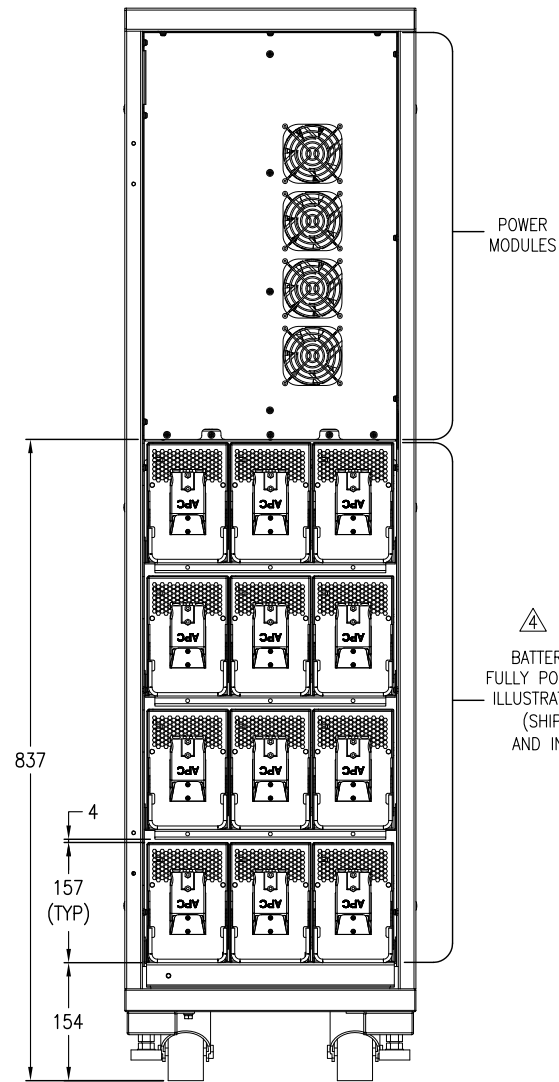
837

4

157
(TYP)

154

10kVA FRONT VIEW
(INTERNAL)



POWER
MODULES

⚠
BATTERY UNITS (E3SBTU)
FULLY POPULATED. SHOWN FOR
ILLUSTRATION PURPOSE ONLY.
(SHIPPED SEPARATELY
AND INSTALLED ON SITE)

837

4

157
(TYP)

154

15kVA FRONT VIEW
(INTERNAL)

- NOTES:
1. INSTALLATION SHALL COMPLY WITH ALL APPLICABLE NATIONAL AND LOCAL ELECTRICAL REGULATIONS.
 2. REFER TO PRODUCT DOCUMENTATION FOR ADDITIONAL DETAILS PRIOR TO INSTALLATION AND SITE PREPARATION WORK.
 3. ALL DIMENSIONS ARE IN MILLIMETERS UNLESS OTHERWISE SPECIFIED.
 4. BATTERY UNIT (E3SBTU) IS NOT PART OF THIS SKU.

THIS DRAWING AND SPECIFICATIONS HEREIN ARE THE PROPERTY OF SCHNEIDER ELECTRIC AND SHALL NOT BE COPIED, REPRODUCED OR USED IN WHOLE OR IN PART, AS THE BASIS FOR THE MANUFACTURE OR SALE OF ITEMS WITHOUT WRITTEN PERMISSION FROM SCHNEIDER ELECTRIC. THIS DRAWING IS BASED UPON LATEST AVAILABLE INFORMATION AND IS SUBJECT TO CHANGE WITHOUT NOTICE.



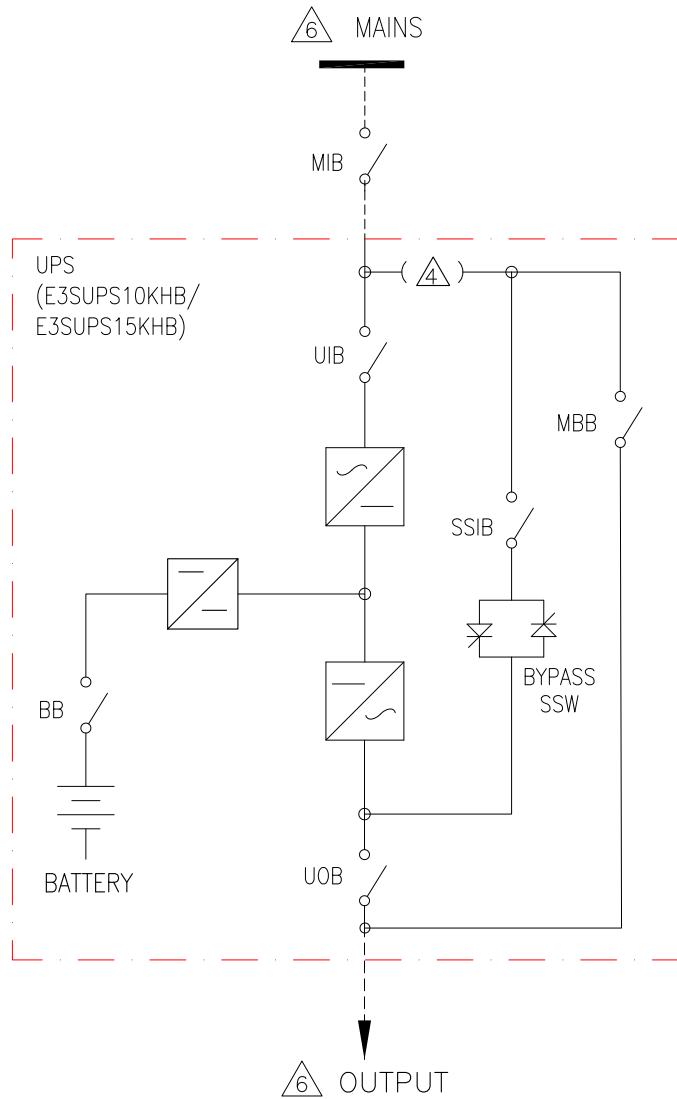
TITLE: Schneider Electric Easy UPS 3S
CIA, HIGH TOWER
10 - 15kVA, 400V, 3PH
WITH BATTERY MODULES
INTERNAL VIEW

DWG NO: E3SUPS10K15HB

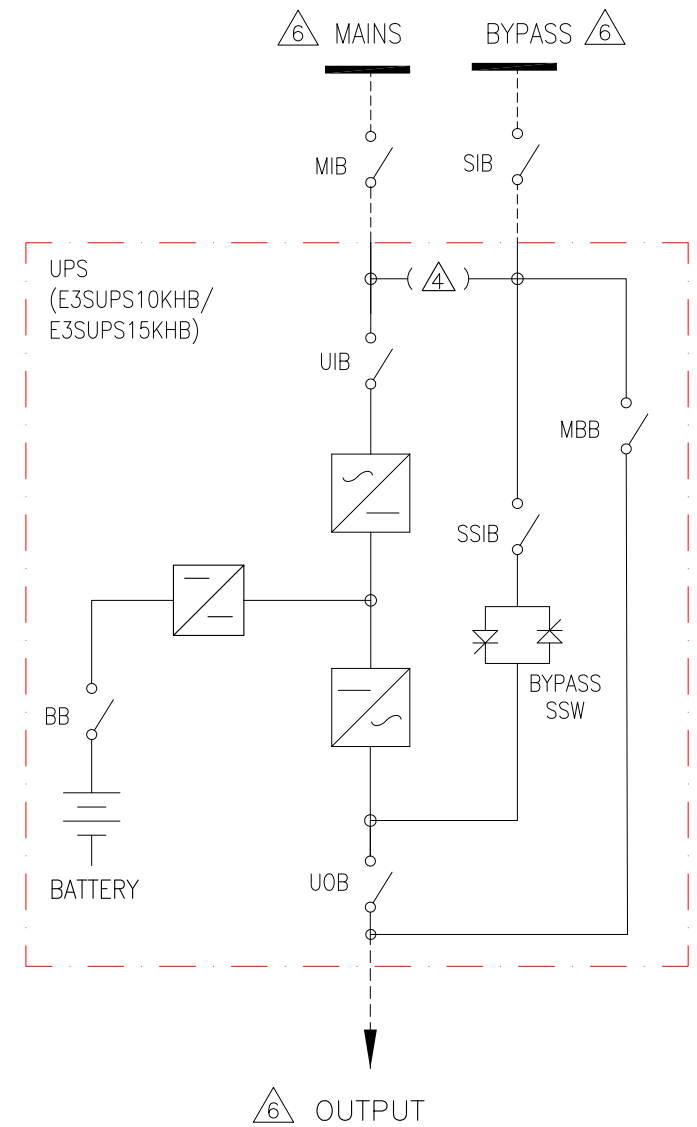
DRAWN: JAYAPRAKASH	06-FEB-18	FIRST ANGLE PROJECTION
ENGINEER: COMPBELL BAI	20-MAR-18	
APPROVED: FRANK ZHANG	20-MAR-18	

PROJECT: SUBMITTAL DRAWINGS SHEET 5 OF 7

SINGLE MAINS CONFIGURATION



DUAL MAINS CONFIGURATION



LEGEND:

----- CABLE PROVIDED BY OTHERS

- NOTES:**
1. INSTALLATION SHALL COMPLY WITH ALL APPLICABLE NATIONAL AND LOCAL ELECTRICAL REGULATIONS.
 2. REFER TO PRODUCT DOCUMENTATION FOR ADDITIONAL DETAILS PRIOR TO INSTALLATION AND SITE PREPARATION WORK
 3. DRAWING DEPICTS POWER SYSTEM CONNECTIONS AND NOT IS NOT REPRESENTATIVE OF PHYSICAL LAYOUT.
 4. SINGLE MAINS CONFIGURATION IS DEFAULT.
FOR DUAL MAINS CONFIGURATION REMOVE THE 3 SHORTING STRAPS/WIRES.
 5. UP TO 4 UPS CAN BE CONNECTED IN PARALLEL.
 6. REFER TO SHEET-7 FOR ELECTRICAL DATA.
 7. CABLE LUGS ARE PROVIDED BY OTHERS.

THIS DRAWING AND SPECIFICATIONS HEREIN ARE THE PROPERTY OF SCHNEIDER ELECTRIC AND SHALL NOT BE COPIED, REPRODUCED OR USED IN WHOLE OR IN PART, AS THE BASIS FOR THE MANUFACTURE OR SALE OF ITEMS WITHOUT WRITTEN PERMISSION FROM SCHNEIDER ELECTRIC. THIS DRAWING IS BASED UPON LATEST AVAILABLE INFORMATION AND IS SUBJECT TO CHANGE WITHOUT NOTICE.



TITLE: Schneider Electric Easy UPS 3S
CLA, HIGH TOWER
10 - 15kVA, 400V, 3PH
WITH BATTERY MODULES
SYSTEM ONLINE DIAGRAM

PROJECT: SUBMITTAL DRAWINGS SHEET 6 OF 7

DWG NO: E3SUPS10K15HB

DRAWN: JAYAPRAKASH	06-FEB-18	FIRST ANGLE PROJECTION
ENGINEER: COMPBELL BAI	20-MAR-18	
APPROVED: FRANK ZHANG	20-MAR-18	

REV.

ELECTRICAL DATA SHEET

UPS RATING	10kVA	15kVA
INPUT SPECIFICATIONS		
INPUT VOLTAGE	380V/400V415V	380V/400V415V
NOMINAL INPUT CURRENT (A)	16/15/15	24/23/22
MAXIMUM INPUT CURRENT (A)	19/18/18	29/28/26
INPUT CURRENT LIMITATION (A)	22/20/20	33/31/30
INPUT FREQUENCY	45-65Hz	
INPUT WIRING	3P+N+PE	
INPUT THDI	< 3%@ 10kVA, < 4%@ 15-40kVA	
BYPASS SPECIFICATIONS		
BYPASS VOLTAGE	380V/400V415V	380V/400V415V
MINIMUM BYPASS VOLTAGE	304/320/332	304/320/332
MAXIMUM BYPASS VOLTAGE	437/460/477	437/460/477
NOMINAL BYPASS CURRENT (A)	15/14/14	23/22/21
BYPASS FREQUENCY	50/60Hz	
BYPASS WIRING	3P+N+PE	
OUTPUT SPECIFICATIONS		
OUTPUT VOLTAGE	380V/400V415V	380V/400V415V
NOMINAL OUTPUT CURRENT (A)	15/14/14	23/22/21
OUTPUT FREQUENCY	50/60Hz	
OUTPUT WIRING	3P+N+PE	
OUTPUT THDU	<3%@ 100% LINEAR LOAD, < 5.5%@ 100% NON-LINEAR LOAD	
BATTERY SPECIFICATIONS		
CHARGING POWER	PROGRAMMABLE FROM 1% TO 20% OF UPS CAPACITY. DEFAULT IS 10%	
MAXIMUM CHARGING POWER (W)	2000	3000
NOMINAL BATTERY VOLTAGE (VDC)	+/-240	
NOMINAL FLOAT VOLTAGE (VDC)	+/-270	
END OF DISCHARGE VOLTAGE (FULL LOAD) (VDC)	+/-198	
BATTERY CURRENT AT FULL LOAD AND NOMINAL BATTERY VOLTAGE (A)	22	33
BATTERY CURRENT AT FULL LOAD AND MINIMUM BATTERY VOLTAGE (A)	27	40
RIPPLE CURRENT	<5% C10	
MAXIMUM SHORT CIRCUIT WITHSTAND	Icc=10kA	
RECOMMENDED CABLE SIZES		
INPUT CABLE SIZE (mm ²)	6	
BYPASS CABLE SIZE (mm ²)	6	
OUTPUT CABLE SIZE (mm ²)	6	
BATTERY INPUT CABLE SIZE (mm ²)	8	
PE CABLE SIZE (mm ²)	6	

NOTES:

1. INSTALLATION SHALL COMPLY WITH ALL APPLICABLE NATIONAL AND LOCAL ELECTRICAL REGULATIONS.
2. REFER TO PRODUCT DOCUMENTATION FOR ADDITIONAL DETAILS PRIOR TO INSTALLATION AND SITE PREPARATION WORK.

THIS DRAWING AND SPECIFICATIONS HEREIN ARE THE PROPERTY OF SCHNEIDER ELECTRIC AND SHALL NOT BE COPIED, REPRODUCED OR USED IN WHOLE OR IN PART, AS THE BASIS FOR THE MANUFACTURE OR SALE OF ITEMS WITHOUT WRITTEN PERMISSION FROM SCHNEIDER ELECTRIC. THIS DRAWING IS BASED UPON LATEST AVAILABLE INFORMATION AND IS SUBJECT TO CHANGE WITHOUT NOTICE.



TITLE: Schneider Electric Easy UPS 3S
 CLA, HIGH TOWER
 10 - 15kVA, 400V, 3PH
 WITH BATTERY MODULES
 ELECTRICAL DATA SHEET

DWG NO: E3SUPS10K15HB REV.

DRAWN: JAYAPRAKASH 06-FEB-18 FIRST ANGLE

ENGINEER: COMBELL BAI 20-MAR-18 PROJECTION

PROJECT: SUBMITTAL DRAWINGS SHEET 7 OF 7

APPROVED: FRANK ZHANG 20-MAR-18