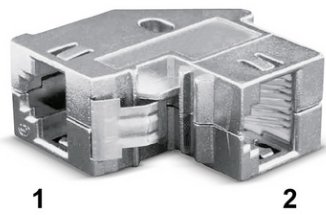


# RJ45 Feed-through coupler

shielded, Cat. 6 Link / Class E, 90 degrees (angled) / 180 degrees (straight)



Side 1: MS fitting  
Side 2: Keystone fitting



## DESCRIPTION

Suitable for setting up Consolidation Points and cross-connect wirings.

For the transmission of all digital and analogue applications up to Cat. 6 (Link) / Class E in accordance with ISO/IEC 11801, EN 50173-1 and EIA/TIA 568-B.2-10.

Compact zinc die casting housing.

Angled model with small depth.

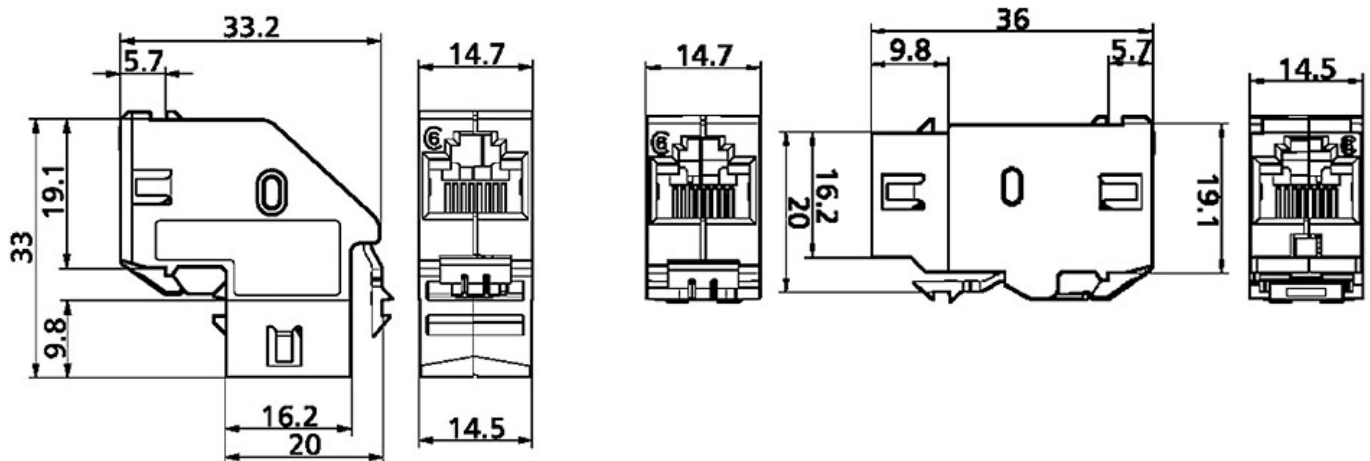
Two types of mounting in one coupling:

side 1 with MS fitting (straight variant, e.g. for usage in patch panel MPS 24x),

side 2 with Keystone fitting (straight variant, e.g. for usage in patch panel KS 24x).

Manufacturer: BTR.

## DESIGN



Angled design (90 degrees)

Straight design (180 degrees)

## STANDARDS

EMC	shielded
Cat./Class	Cat.6 / Class E
Standards	IEC 60603-7-5 (Cat.6 shielded, 250 MHz) ISO/IEC 11801:2002 / Amd.2:2010 EN 50173-1:2011 TIA/EIA 568-B.2-10:2008

# RJ45 Feed-through coupler

shielded, Cat. 6 Link / Class E, 90 degrees (angled) / 180 degrees (straight)



## VERSIONS

Article No.	Product	Colour	PU
417445	RJ45 feed-trough coupler Cat.6 Link/Class E, 90 degree, angled	metal	1 pc.
417446	RJ45 feed-trough coupler Cat.6 Link/Class E, 180 degree, straight	metal	1 pc.