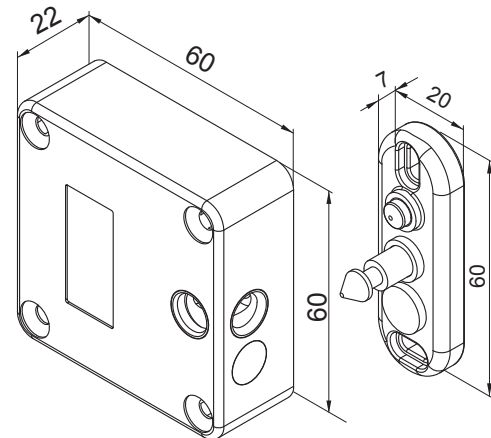




### ● Dimensions



Unit: mm

### ● Statement

CK100 Motorized cabinet lock, fail- secure type is half the size of adult's palm.

It includes bond sensor and door status output to let the users easy recognize the current situation. "Motor and spring" feature, pushes door open and it do not get stuck.

It can be installed to closets, lockers and small filing cabinets, etc.

The CK100 provides full voltage application in 12~28 VAC/VDC and it consumes little power without causing any power burden, it is most suitable for places with a large number of lockers and drawers such as gyms or offices.

### ● Application



### ● Specification

- Operating Voltage: 12~28VAC/DC
- Current Draw: (at temperature 20°C)  
Holding: 69mA/12VDC , 69mA/24VDC  
Pull in: 165mA/12VDC , 165mA/24VDC
- Operating Mode: Fail-Secure
- Bond Sensor Output: 1A/125VAC (N.C. / COM)  
Door Status Output: 1A/125VAC (N.O. / COM)
- Operating Temperature Range: -10~45°
- Humidity: 0~95% non-condensing.
- Dimensions:  
Lock body:(L)60, (W)60, (D)22 mm  
Lock bolt: (L)60, (W)20, (D)7 mm
- Anti-pulling force: 100Kg
- Material: Polyamide

### ● Warranty

The product is warranted against defects in material and workmanship while used in normal service for a period of 2 years from the date of sale to the original customer. The VAULT policy is one of continual development and improvement; therefore VAULT reserves the right to change specifications without notice.