

AT-CAB-001 AT-CAS-001

Complete Surveillance-Cabinet Solutions

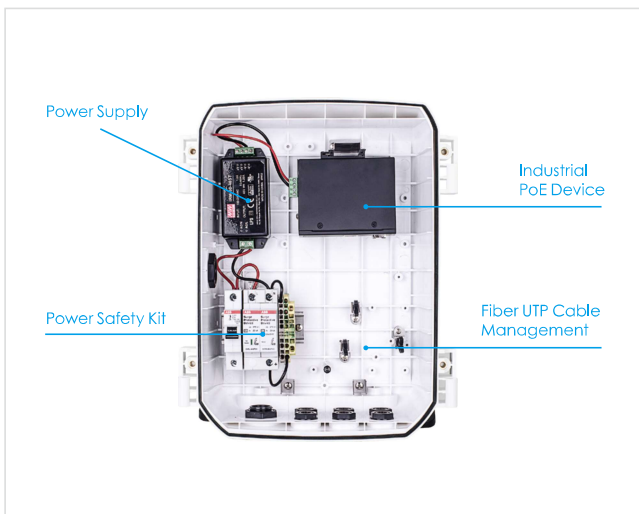


Support All VIVOTEK Cameras • IP66 • IK10 • AC & PoE Surge Protector Included • Single and Multiple Camera Applications

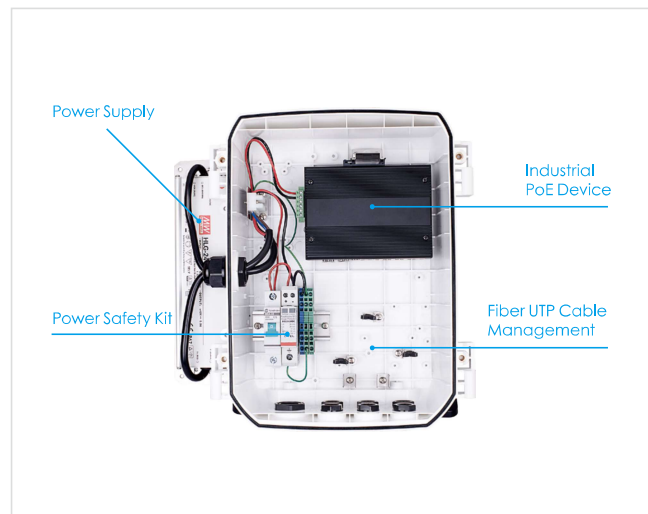
VIVOTEK's AT-CAB-001 and AT-CAS-001 are complete and outdoor-ready surveillance cabinet solutions, built to provide easier installation for any application of VIVOTEK's full range of network cameras, including speed domes, bullets, and fixed dome network cameras as well as for VIVOTEK's outdoor camera enclosures.

In order to cover a wide range of surveillance projects, users can choose from a cabinet only or all the way up to a complete cabinet with power supply, industrial PoE device, fiber media converter, as well as AC & PoE surge protection kits against lightning.

VIVOTEK's AT-CAB-001 and AT-CAS-001 therefore provide both a flexible and turnkey solution for any surveillance scenario. Additionally, by equipping VIVOTEK's AT-CAB-001 and AT-CAS-001 with weather-proof IP66-rated and vandal-proof IK10-rated housing, VIVOTEK ensures full protection against both harsh environments and acts of vandalism. This extra protection makes this series the perfect choice for any exposed outdoor application, such as city surveillance.

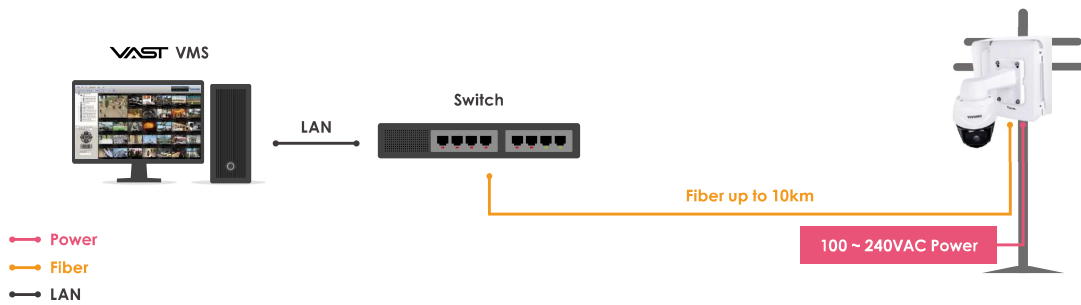
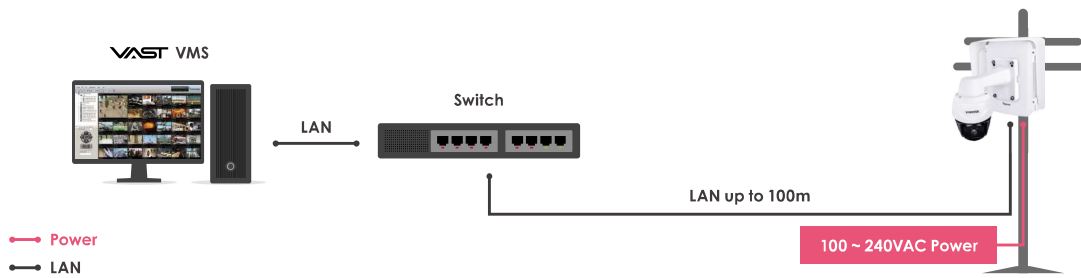


AT-CAB-001/AT-CAS-001



AT-CAB-001/AT-CAS-001+AT-CAB-002

Set A for Speed Dome



Set A-1

Cabinet 120W/48VDC w/o Media Converter

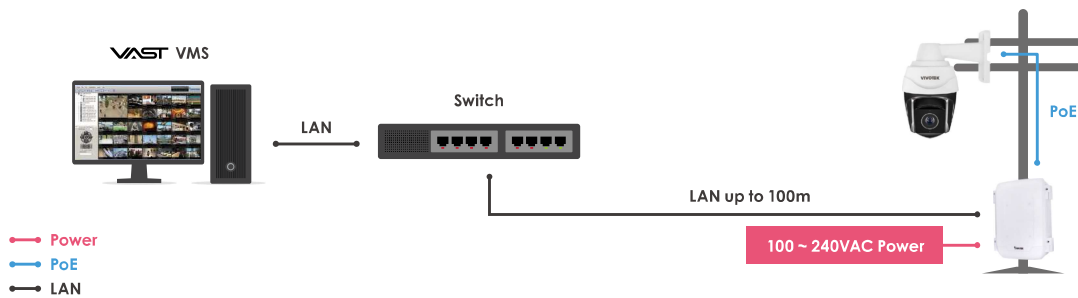
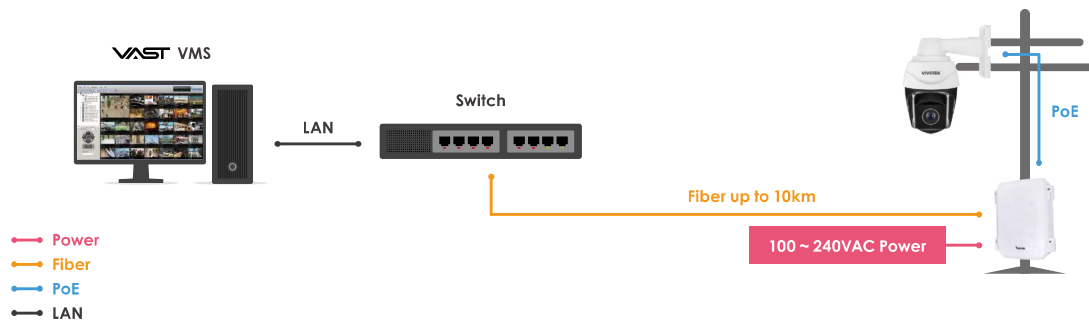
Ordering Information	
AT-CAS-001	Cabinet for Speed Dome
AT-SUN-001	Sunshield for AT-CAx Series Cabinet
AT-SWH-000	Power Safety Kit
HLG-120H-48	90~305VAC In, 48VDC/120W Out, IP67, -40°C ~ 70°C
AT-PSP-001	PoE Surge Protector

Set A-2

Cabinet 120W/48VDC w/ Media Converter

Ordering Information	
AT-CAS-001	Cabinet for Speed Dome
AT-SUN-001	Sunshield for AT-CAx Series Cabinet
AT-SWH-000	Power Safety Kit
HLG-120H-48	90~305VAC in, 48VDC/120W out, IP67, -40°C ~ 70°C
AW-IHS-0202	Industrial Fast Ethernet SFP Fiber Media Converter
AT-PSP-001	PoE Surge Protector
SFP-1000-SM13-10I	SFP Module, LC Connect, Single Mode 10KM

Set B for Single Camera



Set B-1

Cabinet 90W 802.3bt PoE with Fiber Cable

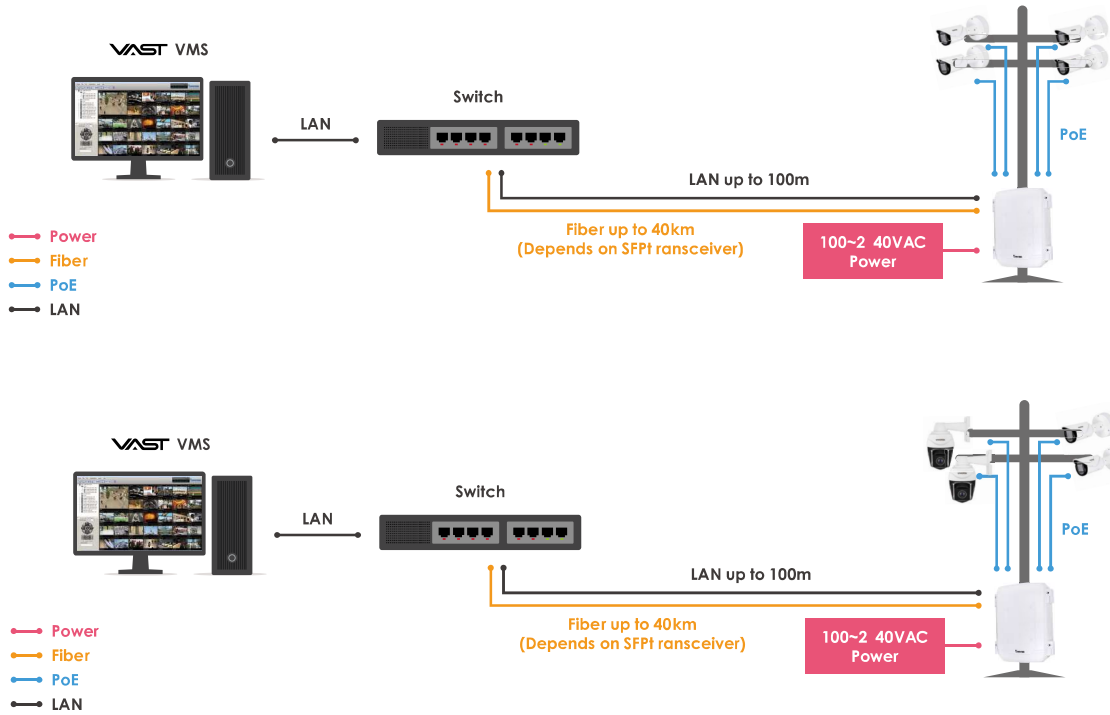
Ordering Information	
AT-CAB-001	Cabinet
AT-SUN-001	Sunshield for AT-CAx + AT-CAB-002 Cabinet
AT-SWH-000	Power Safety Kit
HLG-120H-54	90~305VAC In, 54VDC/120W Out, IP67, -40°C ~ 70°C
AW-IHB-1040	Industrial 2xGbE bt 90W + 6xGbE 30W + 2xGbE SFP Lite Managed Switch
SFP-1000-SM13-10I	SFP Module, LC connect, Single Mode 10KM
AT-PSP-001	PoE Surge Protector

Set B-2

Cabinet 90W 802.3bt PoE with RJ45 Cable

Ordering Information	
AT-CAB-001	Cabinet
AT-SUN-001	Sunshield for AT-CAx + AT-CAB-002 Cabinet
AT-SWH-000	Power Safety Kit
HLG-120H-54	90~305VAC In, 54VDC/120W Out, IP67, -40°C ~ 70°C
AW-IHB-0100	Industrial 1xGE 90W bt PoE Injector
AT-PSP-001	PoE Surge Protector

Set C for Multiple Cameras



Set C-1

Cabinet 120W 4x802.3at/af Cameras

Ordering Information	
AT-CAB-001	Cabinet
AT-CAB-002	Side-mount Bracket for HLG Series Power Supply
AT-SUN-002	Sunshield for AT-CAx + AT-CAB-002 Cabinet
AT-SWH-000	Power Safety Kit
HLG-120H-54	90~305VAC in, 54VDC/120W out, IP67, -40°C ~ 70°C
AW-IHB-1040	Industrial 2xGbE bt 90W + 6xGbE 30W + 2xGbE SFP Lite Managed Switch
AT-WPC-001	M16 Cable Gland for 4~7mm AWG

Set C-2

Cabinet 240W 90W 802.3bt PoE Speed Dome + 2x802.3at/af Cameras

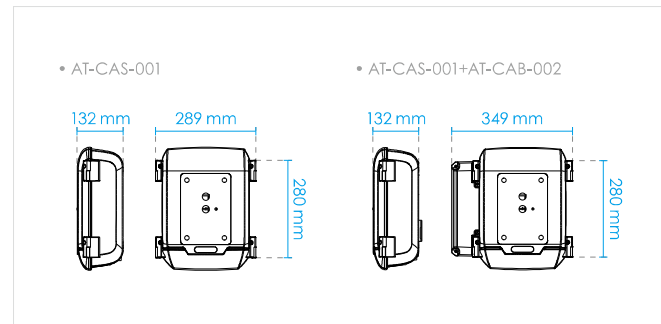
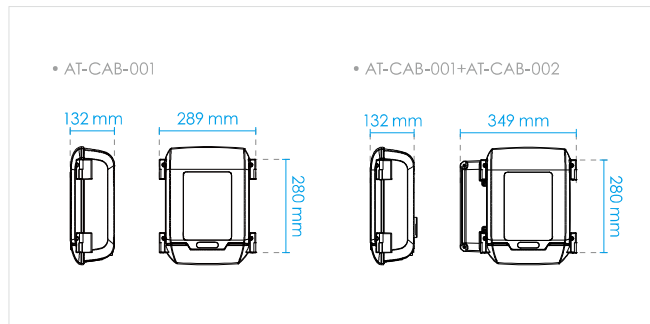
Ordering Information	
AT-CAB-001	Cabinet
AT-CAB-002	Side-mount Bracket for HLG Series Power Supply
AT-SUN-002	Sunshield for AT-CAx + AT-CAB-002 Cabinet
AT-SWH-000	Power Safety Kit
HLG-240H-54	90~305VAC in, 54VDC/240W out, IP67, -40°C ~ 70°C
AW-IHB-1040	Industrial 2xGbE bt 90W + 6xGbE 30W + 2xGbE SFP Lite Managed Switch
AT-WPC-001	M16 Cable Gland for 4~7mm AWG

Technical Specifications











Compatible Camera List	All VIVOTEK network cameras
Housing	Weather-proof IP66-rated housing Vandal-proof IK10-rated housing
Operating Temperature	-40 °C to 75 °C (-40 °F to 167 °F)

Humidity	90%
Weight	3.5 kg
Included Accessories	Quick installation guide, accessories pack, stainless steel wall-mount bracket

Dimensions

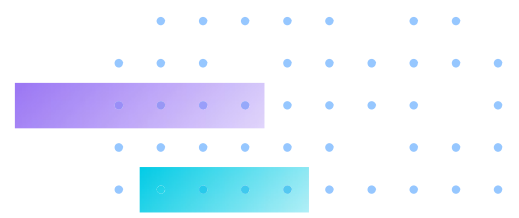


Optional Accessories

Cabinet Accessories		
	AT-CAB-002	Side-mount bracket for HLG series power supply
	AT-SUN-001	Sunshield for AT-CAx series cabinet
	AT-SUN-002	Sunshield for AT-CAx + AT-CAB-002 cabinet
	AT-WPC-001	M16 cable gland for 4~7mm AWG
	AT-WPC-002	M16 cable gland for corrugated tubing : 5/16"
	AT-SWH-000	Power safety kit
	AT-SWH-002	Door open/close detection switch
	AT-PSP-001	PoE surge protector
	AM-314	Pole mount adapter
	AM-414	Corner mount adapter

Power Supply Kits		
	NDR-75-48	90~264VAC in, 48VDC/75W out, -20°C ~ 70°C
	NDR-120-48	90~264VAC in, 48VDC/120W out, -20°C ~ 70°C
	NDR-240-48	90~264VAC in, 48VDC/240W out, -20°C ~ 70°C
	DRL-48V120W1EN	90~264VDC in, 48VDC/120W out, -30°C ~ 70°C
	HLG-80H-24	90~305VAC in, 24VDC/80W out, IP67, -40°C ~ 70°C
	DRL-48V240W1EN	90~264VDC in, 48VDC/240W out, -30°C ~ 70°C
	HLG-80H-48	90~305VAC in, 48VDC/80W out, IP67, -40°C ~ 70°C
	HLG-80H-54	90~305VAC in, 54VDC/80W out, IP67, -40°C ~ 70°C
	HLG-120H-48	90~305VAC in, 48VDC/120W out, IP67, -40°C ~ 70°C
	HLG-120H-54	90~305VAC in, 54VDC/120W out, IP67, -40°C ~ 70°C
	HLG-240H-54	90~305VAC in, 54VDC/240W out, IP67, -40°C ~ 70°C

Optional Accessories



Industrial PoE Solution		
	AW-IHS-0202	Industrial FE SFP fiber media converter
	AW-IHB-0100	Industrial Gigabit 90W bt PoE injector
	AW-IHB-1040	Industrial 2xGbE bt 90W + 6xGbE 30W + 2xGbE SFP Lite Managed Switch
	AW-IHT-1271	Industrial VivoCam L2+ 8xGE PoE + 4xGE SFP Managed Switch