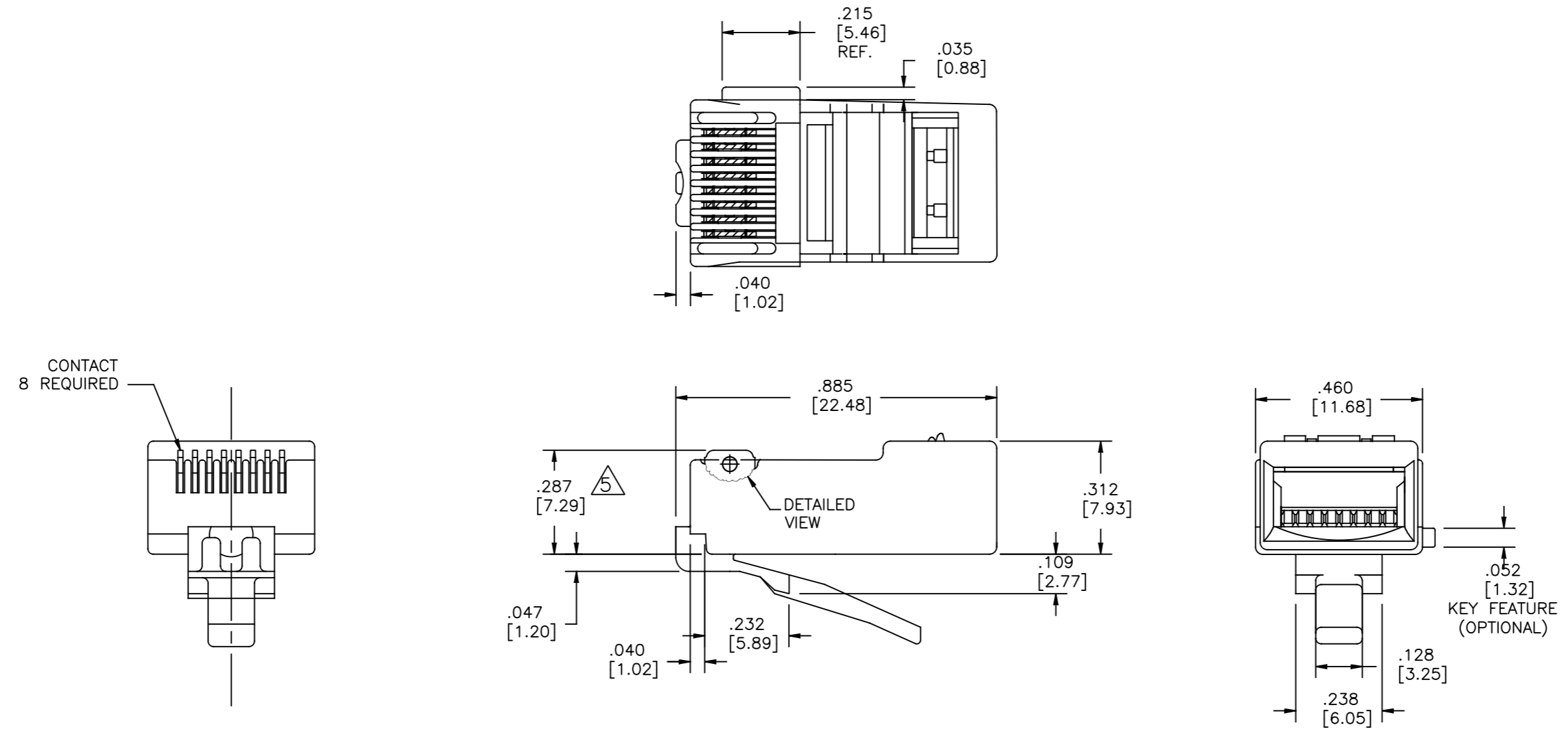


REVISIONS				
REV	DESCRIPTION	DATE	OWN	APVD
C	REV PER BNS_CD_BRAND	12JAN2017	GG	DC

# MP-88

U=UNSHIELDED S=SHIELDED	CABLE TYPE R=ROUND F=FLAT OVAL	INSULATION DIAMETER S=SMALL CONDUCTOR	PACKAGE SIZE 5 = 500 1 = 100
----------------------------	--------------------------------------	--	------------------------------------

1. DIMENSIONS ARE NOMINAL UNLESS OTHERWISE SPECIFIED.
2. MATERIAL: HOUSING- POLYCARBONATE, CLEAR  
 TERMINAL- .305 [.012] THICK PHOSPHOR BRONZE PLATED WITH 1.27[m [.00005] MINIMUM THICK GOLD IN LOCALIZED PLATE AREA OVER 2.54[m [.000100] MINIMUM THICK NICKEL UNDERPLATE.  
 SHIELD, OPTIONAL- COPPER ALLOY WITH 1.27[m [.000050] MINIMUM SEMI-BRIGHT (SATIN) NICKEL.
3. NON-SMALL CONDUCTOR PLUGS WILL ACCEPT 24 TO 26 AWG SOLID OR STRANDED CONDUCTORS WITH A SINGLE INSULATION DIAMETER OF 0.86-0.99[.034-.039]. SMALL CONDUCTOR PLUGS WILL ACCEPT 26 TO 28 AWG SOLID OR STRANDED WIRE WITH A SINGLE INSULATION DIAMETER OF 0.74-0.86[.029-.034].
4. MODULAR PLUGS FOR ROUND CABLES WILL ACCEPT CABLES WITH A MAXIMUM DIAMETER JACKET OF 5.08[.20]. MODULAR PLUGS FOR FLAT OVAL CABLES WILL ACCEPT CABLES WITH A MAXIMUM OVAL CABLE JACKET OF 2.54 X 8.89 [.100 X .350]
5. TERMINATED DIMENSION 5.89 [.232] - 6.15 [.242].
6. UL RECOGNIZED FILE NUMBER E81956.



UNSHIELDED MOD PLUG 8 POSITION  
 PRODUCTS WILL LOOK SIMILAR TO THIS VIEW

PACKAGE	MATERIAL	CATALOG NUMBER
100	6-554170-3	MP-88U-R-1-K
100	6-557961-3	MP-88U-RS-1
500	6-557961-2	MP-88U-RS-5
100	6-557972-3	MP-88U-FS-1
500	6-557972-2	MP-88U-FS-5
100	6-554720-3	MP-88U-F-1
500	6-554720-2	MP-88U-F-5
100	6-557315-3	MP-88U-R-1
500	6-557315-2	MP-88U-R-5
PACKAGE	MATERIAL	CATALOG NUMBER

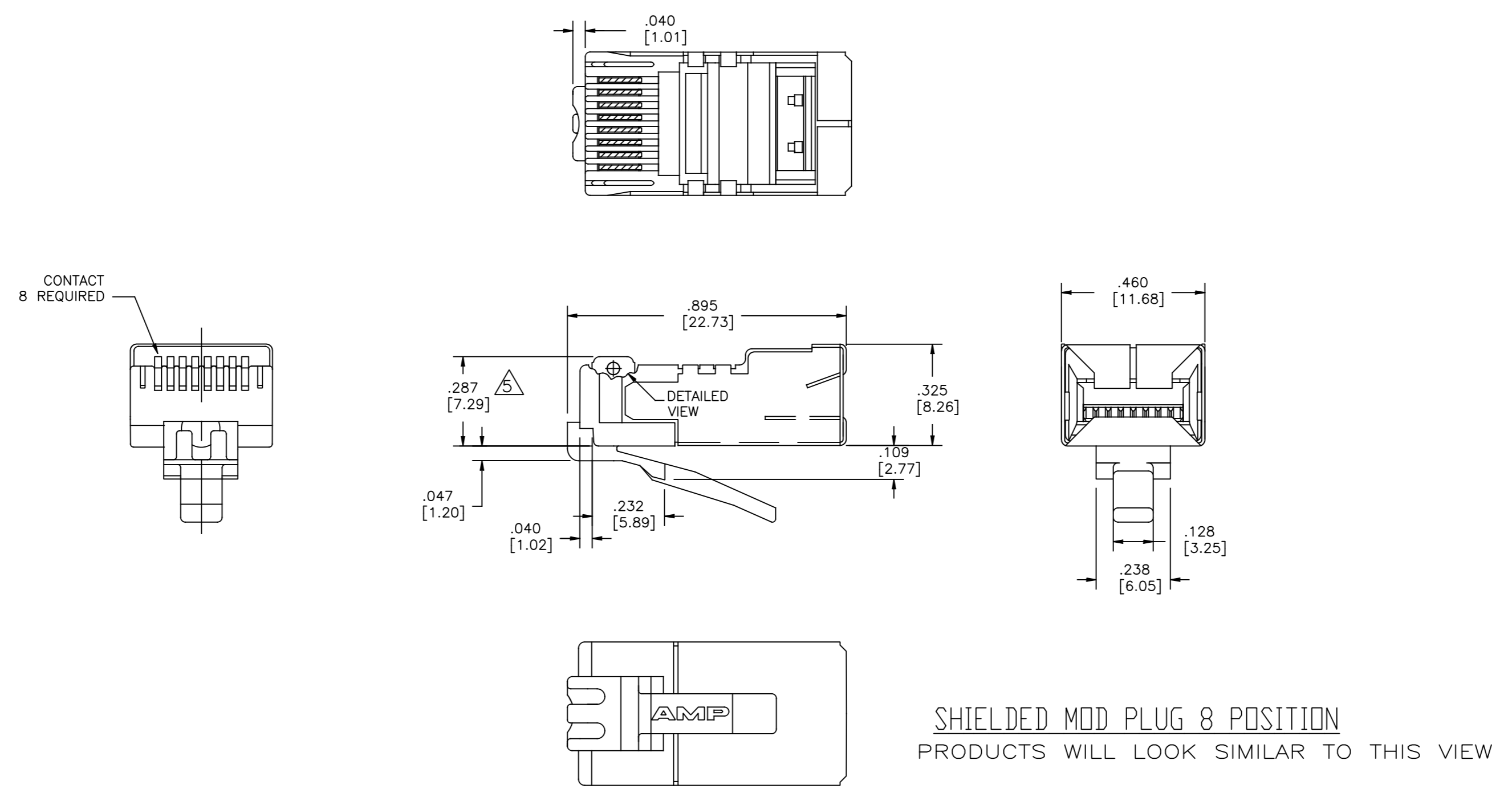
UNSHIELDED CATALOG NUMBER VERSIONS

THIS DRAWING IS A CONTROLLED DOCUMENT.		DWN: G. GARRETT 09JUN2015		<b>COMMSCOPE, INC.</b>	
DIMENSIONS: INCHES [mm]		CHK: J. GENIAC 09JUN2015			
TOLERANCES UNLESS OTHERWISE SPECIFIED:		APVD: J. GENIAC 09JUN2015		NAME	
0 PLC ± -		PRODUCT SPEC: 108-1163		KIT, MOD PLUG, 8 POSITION, 8 CONTACTS	
1 PLC ± -		APPLICATION SPEC: 114-6016		SIZE: A1	
2 PLC ± -		WEIGHT: -		SCALE: 4:1	
3 PLC ± -		CUSTOMER DRAWING		SHEET 1 OF 2	
4 PLC ± -		RESTRICTED TO: -		REV C	
ANGLES FINISH		SCALE: 4:1		SHEET 1 OF 2	

REVISIONS				
P	LYR	DESCRIPTION	DATE	APPROV
-	-	SEE SHEET 1	-	-

# MP-88

<b>U=UNSHIELDED</b> <b>S=SHIELDED</b>	<b>CABLE TYPE</b> <b>R=ROUND</b> <b>F=FLAT OVAL</b>	<b>INSULATION DIAMETER</b> <b>S=SMALL CONDUCTOR</b>	<b>PACKAGE SIZE</b> <b>5 = 500</b> <b>1 = 100</b>
--	---	--	---



100	6-569542-3	MP-88S-F-1
500	6-569542-2	MP-88S-F-5
100	6-569530-3	MP-88S-R-1
500	6-569530-2	MP-88S-R-5
PACKAGE	MATERIAL	CATALOG NUMBER
SHIELDED CATALOG NUMBER VERSIONS		

THIS DRAWING IS A CONTROLLED DOCUMENT.		DRW: G. GARRETT 09/JUN/2015	<b>COMMSCOPE, INC.</b>	
		CHK: J. GENIAC 09/JUN/2015		
DIMENSIONS:		APPROV: J. GENIAC 09/JUN/2015	NAME	
INCHES [mm]		PRODUCT SPEC		KIT, MOD PLUG, 8 POSITION, 8 CONTACTS
TOLERANCES UNLESS OTHERWISE SPECIFIED:		108-1163		
0 PLC	± .005	APPLICATION SPEC		RESTRICTED TO
1 PLC	± .002	114-6016		
2 PLC	± .001	WEIGHT		SCALE: 4:1 SHEET 2 OF 2 REV C
3 PLC	± .0005	A1		
4 PLC	± .0002	CUSTOMER DRAWING		
ANGLES	± .0001			
FINISH	± .0001			