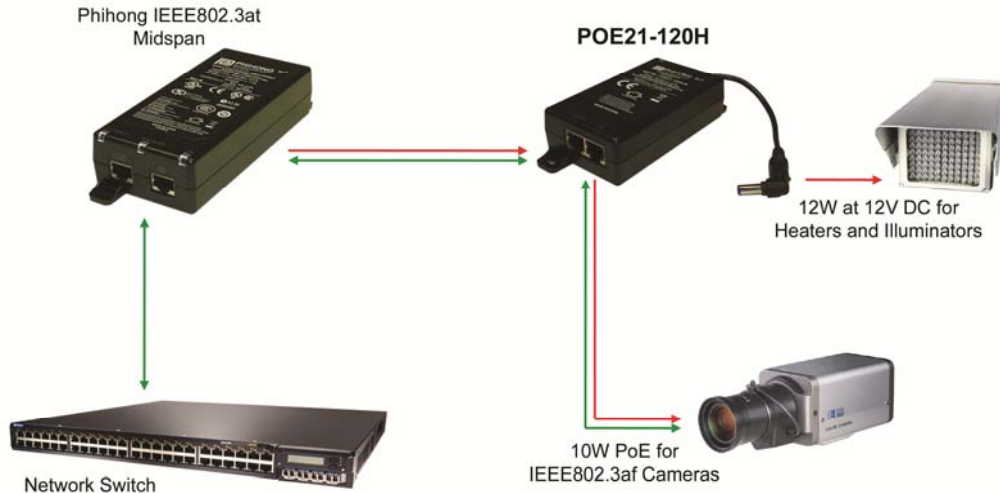




## DC-DC Power over Ethernet Splitter 10W for POE Cameras and 12VDC for Heaters, Illuminators



### Features

- Connection and DC disconnection per device attached to Data Out
- DC Good LED
- Non-Vented Case
- End device must be IEEE802.3af compatible
- 1 Year Warranty
- Power IEEE802.3af Camera
- DC Power and PoE/Data Output
- Requires Phihong PoE Plus for full functionality
- Gigabit Compatible
- 10W PoE output and 12W DC output at 12VDC

### Applications

- IP Cameras Heaters and Illuminators
- Access Controls

### Safety Approvals

- CE

### Mechanical Characteristics

- Length: 100mm (3.937in)
- Width: 56mm (2.205in)
- Height: 28mm (1.098in)
- Weight: 0.142Kg (0.313lb)

### Output Specifications

Model	Output Power		PoE Load		DC Load	
	PoE	DC	Min	Max	Min	Max
POE21-120H-R*	10W	12W at 12V DC	175mA at 57V DC	225mA at 44V DC	0.0A	1A

\*Model will not operate without Phihong's IEEE802.3at power injector and can only power an IEEE802.3af compatible end device.

Phihong is not responsible for any error, and reserves the right to make changes without notice. Please visit our website at [www.phihong.com](http://www.phihong.com) for the most up-to-date specifications and contact information.

**INPUT:**

Unit receives power from Pihong PoE Plus Midspans only using Cat 5e or Cat 6 wiring up to 100 meters per IEEE802.3. For information on PoE Plus Midspans please go to [www.midspans.com](http://www.midspans.com)

**DC Input Current**

0.7A (DC) and 45VDC at maximum load

**DC Input Voltage Rating**

45 – 57VDC for 12V

**DC OUTPUT:**

**Regulation**

Line and Load  $\pm 2\%$

**Ripple**

120mV maximum at 25°C

**Efficiency**

75% minimum at maximum load, 48V input

**O/P Voltage Protection**

In case of output over voltage overload, crowbar will short. The output can be shorted permanently without damage.

**ENVIRONMENTAL:**

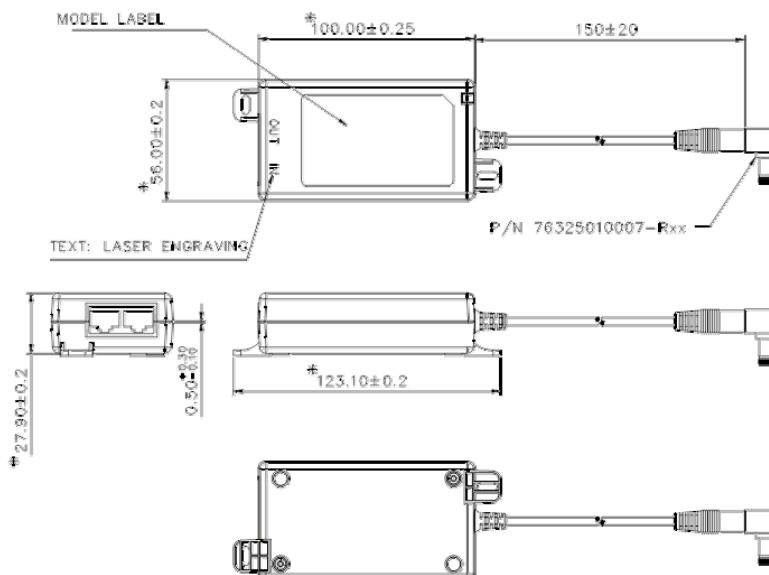
**Temperature**

Operation 0 to +40°C  
 Non-operation -20 to +65°C

**Humidity**

Operation 5 to 90%

**Dimension Diagram Unit: mm**



**Immunity**

ESD: EN61000-4-2. Level 3  
 RS: EN61000-4-3. Level 2

Note: RS and ESD tested with POE36U-1AT

**EMC**

EN55022 Class A  
 FCC Part 15, Class A

**Dielectric withstand (HI-POT) Test**

Primary to secondary: 2121VDC for 1 minute, 10mA

**Insulation Resistance**

Primary to Secondary:  $>10M$  Ohm 500V DC

**Indicators**

GREEN LED – Output power “ON”

**Warranty**

1 Year

**Input and Output Data Connector**

RJ45

**Output Connector**

POE and data RJ45 Jack

**DC Output**

Center Positive Barrel 12mm x 2.1mm ID x 5.5mm OD  
 Tip is user changeable for other sizes

